

ZEPLINN ADVERTISING LED PANEL



Light increases commerciality. With this advertising LED panel, you help customers pay more attention to specific products. With an advertising panel, you enhance the brand of your most important partners.

Benefits

With an adjustable light output and interchangeable ads, you get the most cost-effective solution. The solution includes a wireless Casambi control for the advertising panel group.

Suitability

Zeplinn advertising LED panel is suitable for retail shops.



Product families and variants

MODEL	TYPE CODE	POWER	LUMINOUS FLUX	LUMINAIRE EFFICACY	LIFETIME	OPERATING TEMPERATURE
Zeplinn 3xLED-panel	PA-A001-1007	89 W	3x4000 lm	135 lm/W	L80B50 = 57 000h, C10 = 100 000h	0 - +40°C
Zeplinn 4xLED-panel	PA-A001-1007	118 W	4x4000 lm	135 lm/W	L80B50 = 57 000h, C10 = 100 000h	0 - +40°C
Zeplinn 5xLED-panel	PA-A001-1007	148 W	5x4000 lm	135 lm/W	L80B50 = 57 000h, C10 = 100 000h	0 - +40°C

Notes:

All values in ambient temperature of +25°C, CCT 5000K, CRI80, luminous flux tolerance +-5%, output power tolerance +-5%. Use environment must be non condensing.

Dimensions

MODEL	TYPE CODE	LENGTH (L)	HEIGHT (H)	WIDTH (W)	WEIGHT
Zeplinn 3xLED-panel	PA-A001-1007	890 mm	16 mm	410 mm	
Zeplinn 4xLED-panel	PA-A001-1007	890 mm	16 mm	410 mm	
Zeplinn 5xLED-panel	PA-A001-1007	890 mm	16 mm	410 mm	

General Description

COLOUR TEMPERATURE:	5000 K ⁽¹⁾
COLOUR RENDERING INDEX:	$R_A \geq 80$
LIGHT SOURCE SHIELD:	PMMA
IP CLASS:	IP20
SUPPLY VOLTAGE:	220-240 Vac
FREQUENCY:	50-60 Hz
PF:	>0.95
THD:	10%
CONNECTION:	Connection to the push-wire terminals of the driver. Cable cross-section max 3*1.5mm ² and cable outer diameter max 9.5mm.
DIMMABILITY:	Casambi
COLOUR:	Black

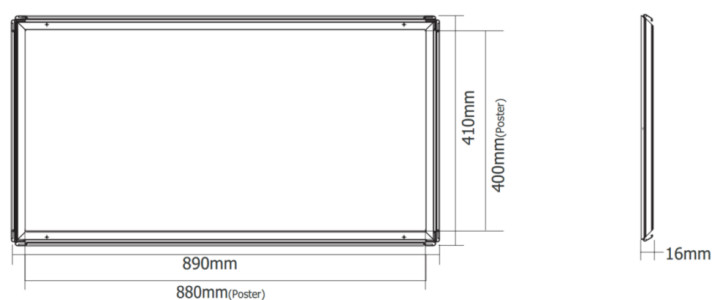
MATERIAL OF THE LUMINAIRE BODY:	Aluminum
GUARANTEE:	5 years
ACCESSORIES (INSTALLATION):	Shelf bracket, Wall bracket

Notes:

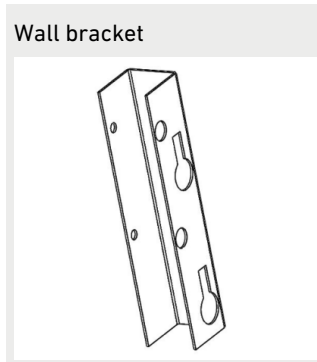
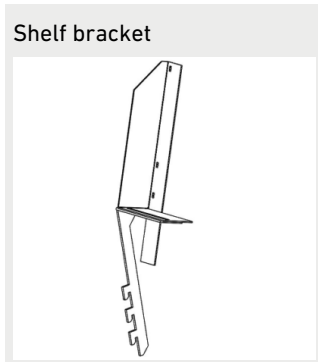
1) SDCM <3

Dimensions

Zeplinn LED panel



Brackets



Circuit breakers

	B10	B16	B20	C10	C16	C20
ZEPLINN PANELS 89W, 118W, 148W CASAMBI	4	6	8	7	10	13

i

CUSTOMER SERVICE:

tel: +358 20 125 5800

info@greenled.fi