

VEGA S



Vega S is a versatile street- and area luminaire that adapts to your future Smart City needs. The design and technical features of the luminaire are perfect for Scandinavian conditions. The luminaire has a smooth body that keeps any trash from clinging to it. Vega S is designed to endure Nordic snow and slush. The luminaire is manufactured in Finland and it fulfils the NMF LED luminaire requirements.

Benefits

Vega S is an energy-efficient, sustainable luminaire with outstanding customisation opportunities. With all the power and light distribution options combined, the luminaire has well over a million possible configurations. Vega S adapts to future Smart City needs. The luminaire may be equipped with Zhaga and NEMA sockets.

Suitability

Vega S is suitable for various street- and area lighting needs like pedestrian walkways, residential streets, parks and outdoor/sports tracks.

Product families and variants

MODEL	TYPE CODE	POWER	POWER TUNING RANGE ¹⁾	LUMINOUS FLUX	LUMINAIRE EFFICACY	LIFETIME	OPERATING TEMPERATURE	OPTICAL SAFETY DISTANCE ²⁾
VEGA S	GLVSS10 ^(A)	10 W	20-100%	1360 lm	138 lm/W	L98, C10 100 000 h	-40 - +50°C	1.2 m
VEGA S	GLVSS15 ^(A)	15 W	20-100%	2040 lm	143 lm/W	L98, C10 100 000 h	-40 - +50°C	1.4 m
VEGA S	GLVS19 ^(B)	19 W	10-100%	2810 lm	151 lm/W	L98, C10 100 000 h	-40 - +45°C	1.5 m
VEGA S	GLVSS20 ^(A)	20 W	14-100%	2790 lm	140 lm/W	L98, C10 100 000 h	-40 - +45°C	2.0 m
VEGA S	GLVSS28 ^(A)	28 W	10-100%	4090 lm	150 lm/W	L98, C10 100 000 h	-40 - +45°C	2.0 m
VEGA S	GLVS36 ^(B)	36 W	10-100%	5620 lm	158 lm/W	L98, C10 100 000 h	-40 - +50°C	2.1 m
VEGA S	GLVSS37 ^(A)	38 W	10-100%	5570 lm	146 lm/W	L98, C10 100 000 h	-40 - +45°C	2.4 m
VEGA S	GLVSS51 ^(A)	53 W	10-100%	7550 lm	142 lm/W	L98, C10 100 000 h	-40 - +50°C	2.8 m
VEGA S	GLVS52 ^(B)	52 W	10-100%	8430 lm	164 lm/W	L98, C10 100 000 h	-40 - +50°C	2.6 m
VEGA S	GLVS71 ^(B)	74 W	10-100%	11500 lm	156 lm/W	L98, C10 100 000 h	-40 - +40°C	3.1 m
VEGA S	GLVSS81 ^(A)	83 W	10-100%	10650 lm	129 lm/W	L98, C10 100 000 h	-40 - +25°C	3.6 m
VEGA S	GLVS99 ^(B)	105W	10-100%	15580 lm	148 lm/W	L98, C10 100 000 h	-40 - +25°C	3.6 m
VEGA S	GLVS127 ^(B)	129 W	10-100%	18350 lm	142 lm/W	L98, C10 100 000 h	-40 - +25°C	4.2 m

Notes:

The nominal luminous flux is the indicative LED luminous flux, based on information provided by the LED manufacturer, with 4000K colour temperature and CRI70 colour rendering. The real luminous flux of the luminaire depends on its environment (e.g. temperature or impurities), the colour temperature and colour rendering of the LED as well as the optical efficiency of the luminaire. All values in ambient temperature of +25°C and light distribution V11 or 07. Luminous flux tolerance +-10%, power tolerance +-10%.

1) Dimming range is a subject to change, if output power optimization has been done. Tolerance of the dimming range $\pm 10\%$.

2) The luminaire should be positioned so that prolonged staring into the luminaire at a distance closer than optical safety distance is not expected.



i

i

i

A) Optic family A (for example 07)

B) Optic family B (for example V07)

Luminous flux factors:

LED 3000K CRI70 = 0,91

LED 5000K CRI70 = 1,00

Dimensions

MODEL	TYPE CODE	LENGTH (L)	HEIGHT (H)	WIDTH (W)	WEIGHT
VEGA S	GLVSS10 ^(A)	404 mm	75 mm	286 mm	4,7 kg
VEGA S	GLVSS15 ^(A)	404 mm	75 mm	286 mm	4,7 kg
VEGA S	GLVS19 ^(B)	404 mm	75 mm	286 mm	4,7 kg
VEGA S	GLVSS20 ^(A)	404 mm	75 mm	286 mm	4,7 kg
VEGA S	GLVSS28 ^(A)	404 mm	75 mm	286 mm	4,7 kg
VEGA S	GLVS36 ^(B)	404 mm	75 mm	286 mm	4,7 kg
VEGA S	GLVSS37 ^(A)	404 mm	75 mm	286 mm	4,7 kg
VEGA S	GLVSS51 ^(A)	404 mm	75 mm	286 mm	4,8 kg
VEGA S	GLVS52 ^(B)	404 mm	75 mm	286 mm	4,8 kg
VEGA S	GLVS71 ^(B)	404 mm	75 mm	286 mm	4,8 kg
VEGA S	GLVSS81 ^(A)	404 mm	75 mm	286 mm	5,3 kg
VEGA S	GLVS99 ^(B)	404 mm	75 mm	286 mm	5,3 kg
VEGA S	GLVS127 ^(B)	404 mm	75 mm	286 mm	5,5 kg

General Description

COLOUR TEMPERATURE:	3000 K, 4000 K, 5000 K ⁽¹⁾
COLOUR RENDERING INDEX:	$R_A \geq 70$
LIGHT SOURCE SHIELD:	Toughened glass
IP CLASS:	IP66
IK CLASS:	IK08
SUPPLY VOLTAGE:	220-240 Vac
FREQUENCY:	50-60 Hz
PF:	>0.93
THD:	10%
OVERVOLTAGE PROT.:	10kV L/N-Ground & 6kV L-N

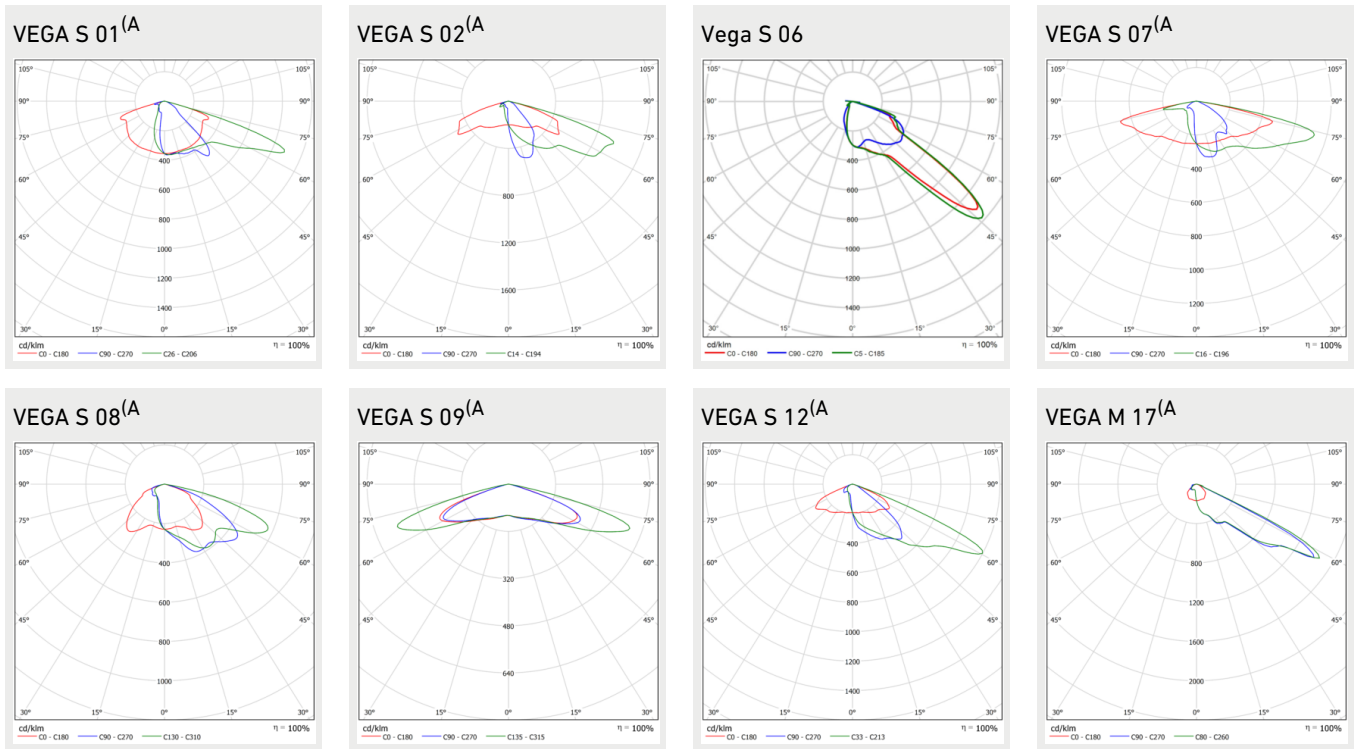
CONNECTION:	Luminaire internal terminal block. Installation cable as an option.
DIMMABILITY:	ON/OFF, DALI, AstroDIM
COLOUR:	RAL9006, other RAL colours as an option
MATERIAL OF THE LUMINAIRE BODY:	Recycled aluminium
GUARANTEE:	8 years
ACCESSORIES (INSTALLATION):	3608220 Tube bracket, 5206062 T-adapter, 5205037 Pole adapter diam 76 mm -> 60 mm, 3608101 Ceiling bracket, 3608061 Wall bracket, 9905253 Vega flood Bracket, 9910082 Pipe Bracket
ACCESSORIES (OTHERS):	Protection class II – assembly

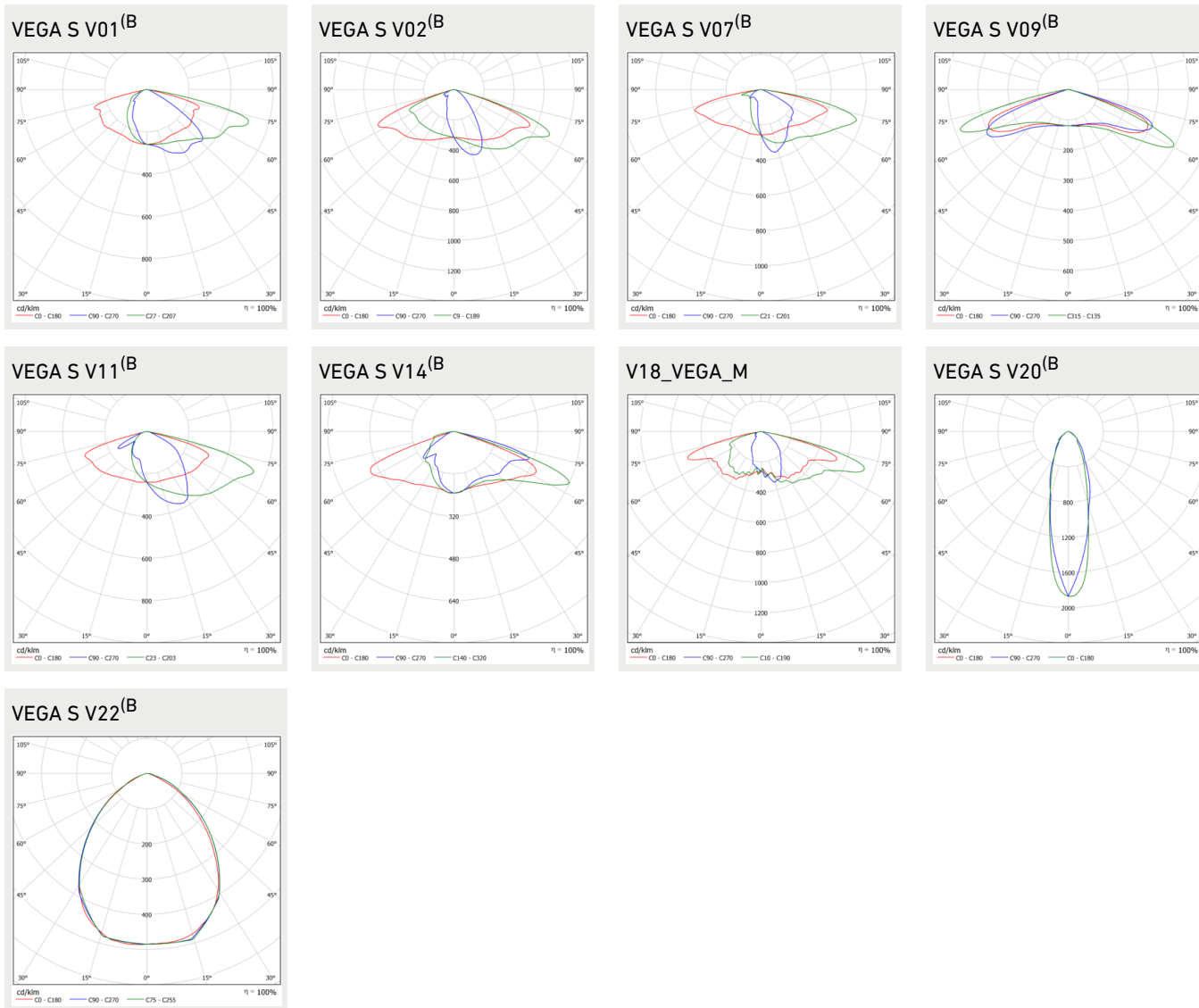
Notes:

1) Chromaticity co-ordinate initial value SDCM 5 and maintained value SDCM 5

GLVSS81 and GLVS127 ENEC pending.

Light distribution



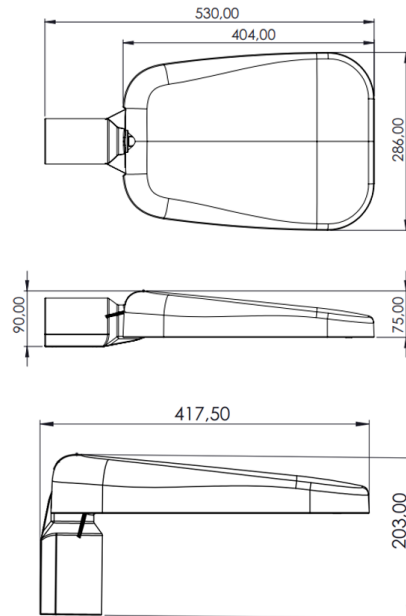


Notes:

A) Optic family A: GLVSS10, GLVSS15, GLVSS20, GLVSS28, GLVSS37, GLVSS51, GLVSS81

B) Optic family B

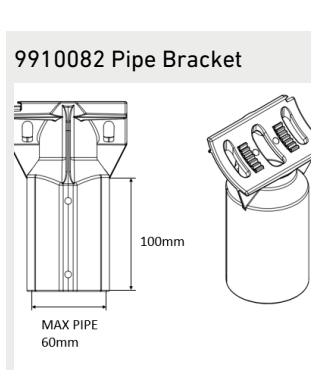
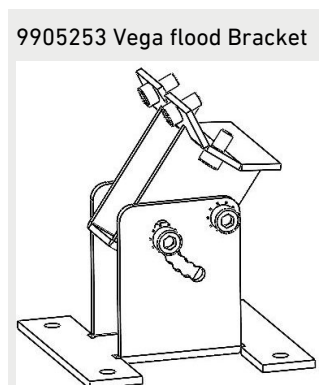
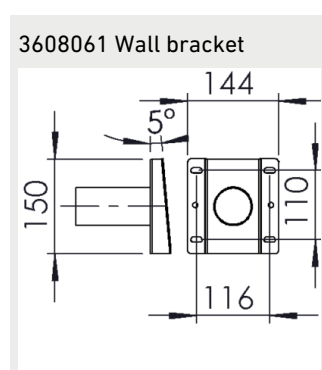
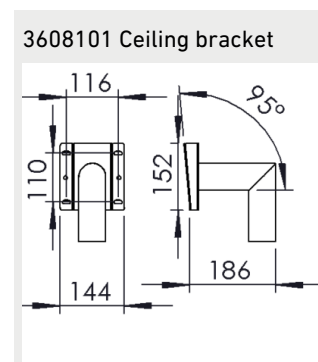
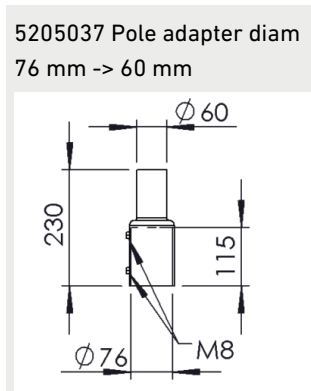
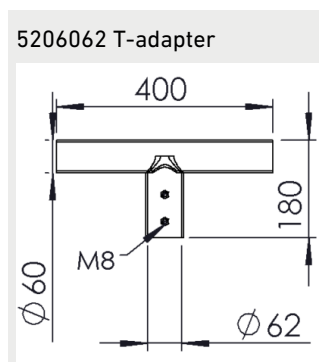
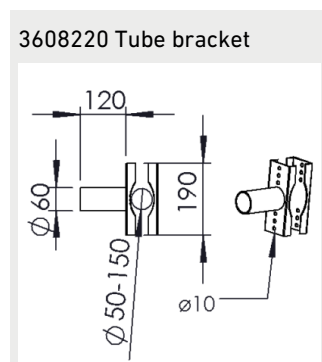
Dimensions

VEGA S⁽¹⁾

Notes:

1) Wind surface area 1156cm²

Brackets



Circuit breakers

	B10	B16	B20	C10	C16	C20
GLVSS10, GLVSS15, GLVSS20	23	36	45	37	61	74
GLVSS28, GLVSS37, GLVS19, GLVS36	18	28	35	29	47	58
GLVSS51, GLVS52, GLVS71	8	12	15	12	20	24
GLVS99, GLVSS81	7	11	13	11	18	22
GLVS127	5	9	11	9	15	18

i

CUSTOMER SERVICE:

tel: +358 20 125 5800

info@greenled.fi