

VEGA M



Vega M is a versatile street- and area luminaire that adapts to your future Smart City needs. The design and technical features of the luminaire are perfect for Scandinavian conditions. The luminaire has a smooth body that keeps any trash from clinging to it. Vega M is designed to endure Nordic snow and slush. The luminaire is manufactured in Finland and it fulfils the NMF LED luminaire requirements.

Benefits

Vega M is an energy-efficient, sustainable luminaire with outstanding customisation opportunities. With all the power and light distribution options combined, the luminaire has well over a million possible configurations. Vega M adapts to future Smart City needs. The luminaire may be equipped with Zhaga and NEMA sockets.

Suitability

Vega M is suitable for various street- and area lighting needs including city streets and roads in urban and rural areas.



GREENLED

Product families and variants

MODEL	TYPE CODE	POWER	LUMINOUS FLUX	LUMINAIRE EFFICACY	LIFETIME	OPERATING TEMPERATURE
VEGA M	GLVMS50 ^(A)	52 W	8400 lm	163 lm/W, 350mA*	L98, C10 100 000 h	-40 - +50°C
VEGA M	GLVMS66 ^(A)	69 W	11200 lm	163 lm/W, 350mA*	L98, C10 100 000 h	-40 - +50°C
VEGA M	GLVM67 ^(B)	69 W	11560 lm	168 lm/W, 350mA*	L98, C10 100 000 h	-40 - +50°C
VEGA M	GLVM99 ^(B)	103 W	17340 lm	168 lm/W, 350mA*	L98, C10 100 000 h	-40 - +50°C
VEGA M	GLVMS102 ^(A)	105 W	15520 lm	148 lm/W, 700mA*	L98, C10 100 000 h	-40 - +40°C
VEGA M	GLVM130 ^(B)	136 W	23120 lm	170 lm/w, 350mA*	L98, C10 100 000 h	-40 - +45°C
VEGA M	GLVMS135 ^(A)	140 W	20700 lm	148 lm/W, 700mA*	L98, C10 100 000 h	-40 - +40°C
VEGA M	GLVM166 ^(B)	179 W	28730 lm	161 lm/W, 450mA*	L98, C10 100 000 h	-40 - +30°C
VEGA M	GLVMS168 ^(A)	180 W	25120 lm	139 lm/W, 880mA*	L98, C10 100 000 h	-40 - +25°C

Notes:

The nominal luminous flux is the indicative LED luminous flux, based on information provided by the LED manufacturer, with 4000K colour temperature and CRI70 colour rendering. The real luminous flux of the luminaire depends on its environment (e.g. temperature or impurities), the colour temperature and colour rendering of the LED as well as the optical efficiency of the luminaire. All values in ambient temperature of +25°C with CLO constant light output control and light distribution V11 or 07. Luminous flux tolerance +-10%, power tolerance +-10%.

A) Optic family A (for example 07)

B) Optic family B (for example V07)

*) LED driving current

Luminous flux factors:

LED 3000K CRI70 = 0,91

LED 5000K CRI70 = 1,00

Dimensions

MODEL	TYPE CODE	LENGTH (L)	HEIGHT (H)	WIDTH (W)	WEIGHT	WIND SURFACE AREA
VEGA M	GLVMS50 ^(A)	559 mm	78 mm	320 mm	8,7 kg	1789 cm ²
VEGA M	GLVMS66 ^(A)	559 mm	78 mm	320 mm	8,9 kg	1789 cm ²
VEGA M	GLVM67 ^(B)	559 mm	78 mm	320 mm	8,7 kg	1789 cm ²
VEGA M	GLVM99 ^(B)	559 mm	78 mm	320 mm	9,3 kg	1789 cm ²

MODEL	TYPE CODE	LENGTH (L)	HEIGHT (H)	WIDTH (W)	WEIGHT	WIND SURFACE AREA
VEGA M	GLVMS102 ^(A)	559 mm	78 mm	320 mm	9,3 kg	1789 cm ²
VEGA M	GLVM130 ^(B)	559 mm	78 mm	320 mm	9,7 kg	1789 cm ²
VEGA M	GLVMS135 ^(A)	559 mm	78 mm	320 mm	9,7 kg	1789 cm ²
VEGA M	GLVM166 ^(B)	559 mm	78 mm	320 mm	9,6 kg	1789 cm ²
VEGA M	GLVMS168 ^(A)	559 mm	78 mm	320 mm	9,6 kg	1789 cm ²

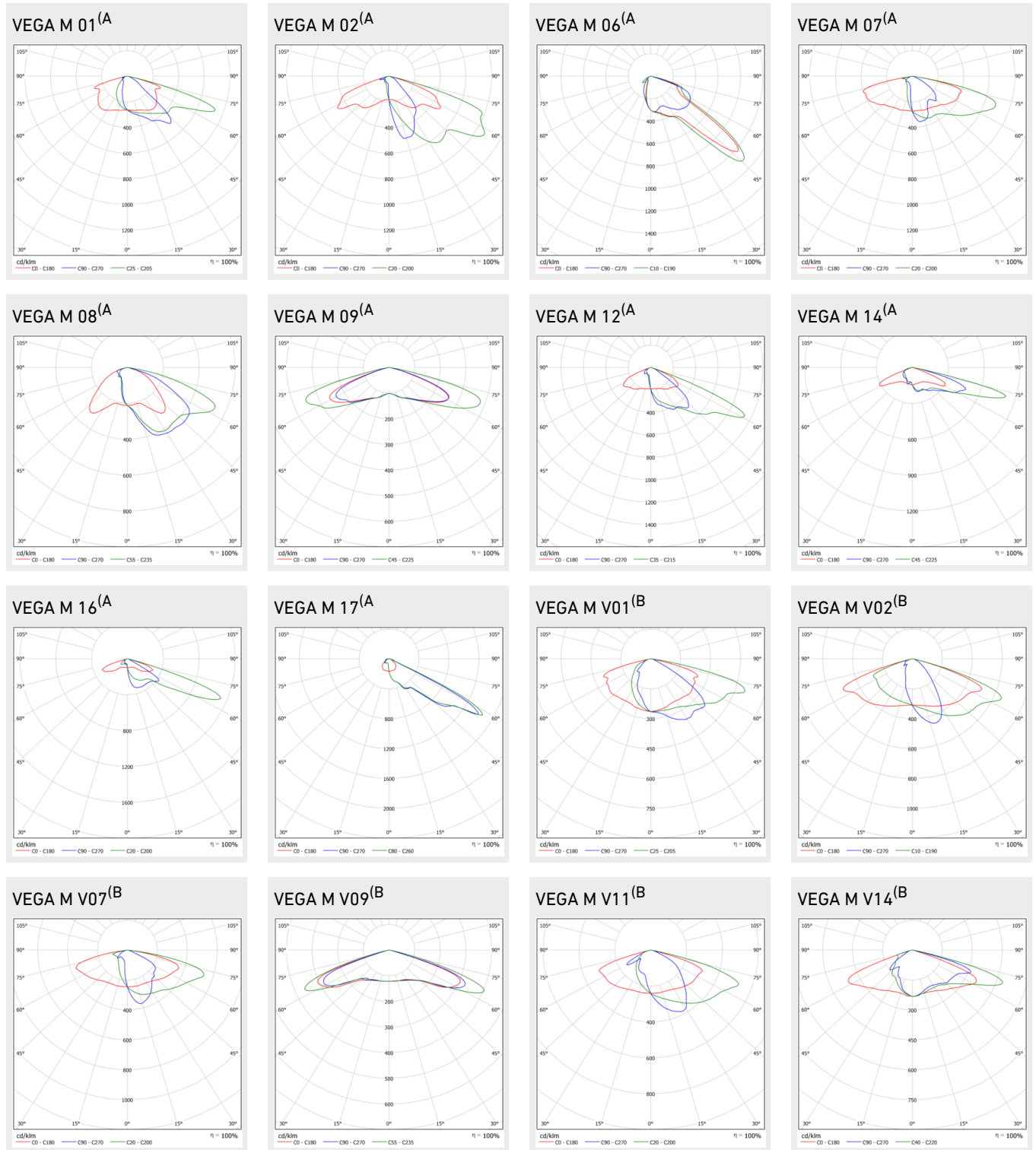
General Description

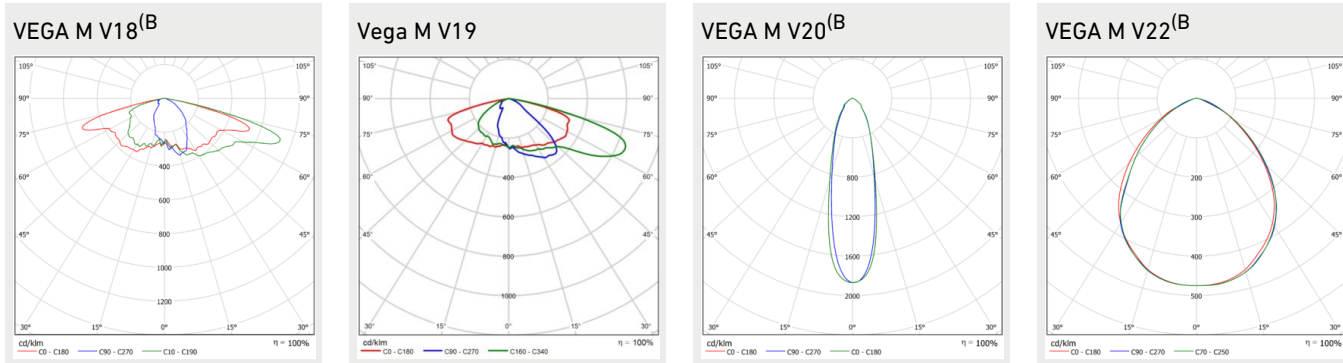
COLOUR TEMPERATURE:	3000 K, 4000 K, 5000 K ⁽¹⁾
COLOUR RENDERING INDEX:	$R_A \geq 70$
LIGHT SOURCE SHIELD:	Toughened glass
IP CLASS:	IP66
IK CLASS:	IK08
SUPPLY VOLTAGE:	220-240 Vac
FREQUENCY:	50-60 Hz
PF:	>0.93
THD:	10%
OVERVOLTAGE PROT.:	10kV L/N-Ground & 6kV L-N
CONNECTION:	Luminaire internal terminal block. Installation cable as an option.
DIMMABILITY:	ON/OFF, DALI, AstroDIM
COLOUR:	RAL9006, other RAL colours as an option.
MATERIAL OF THE LUMINAIRE BODY:	Recycled aluminium
GUARANTEE:	8 years
ACCESSORIES (INSTALLATION):	3608220 Tube bracket, 5206062 T-adapter, 5205037 Pole adapter diam 76 mm -> 60 mm, 3608101 Ceiling bracket, 3608061 Wall bracket, 9905253 Vega flood Bracket, 9910082 Pipe Bracket
ACCESSORIES (OTHERS):	Protection class II – assembly

Notes:

1) Chromaticity co-ordinate initial value SDCM 5 and maintained value SDCM 5

Light distribution



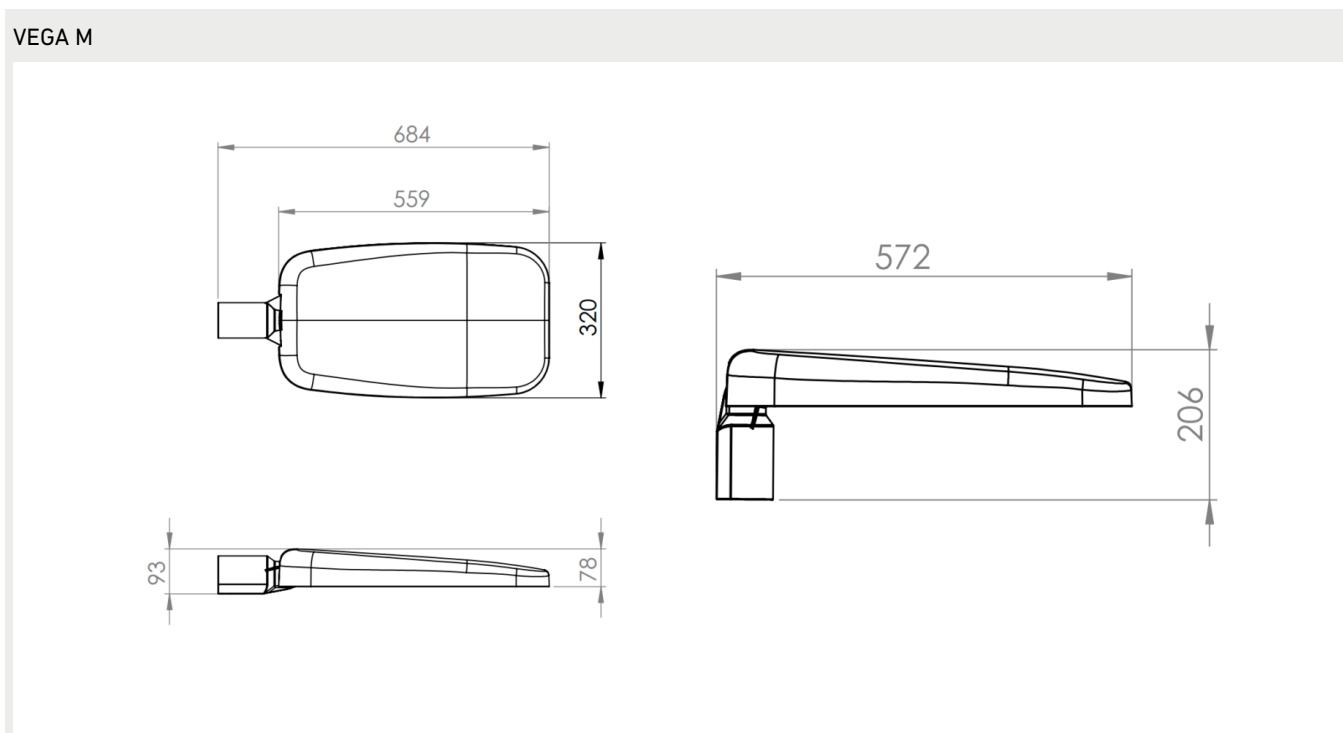


Notes:

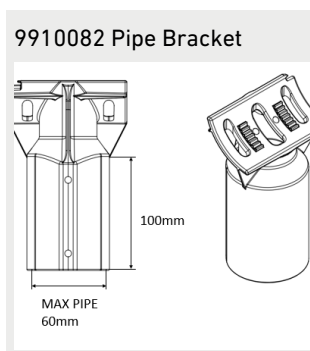
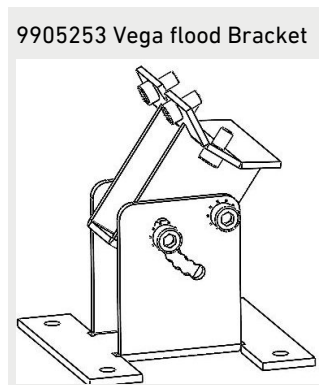
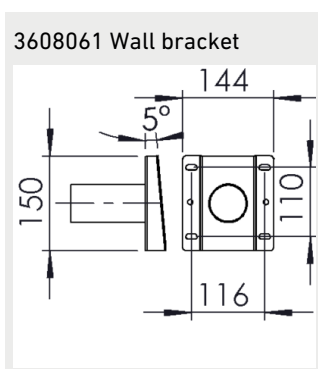
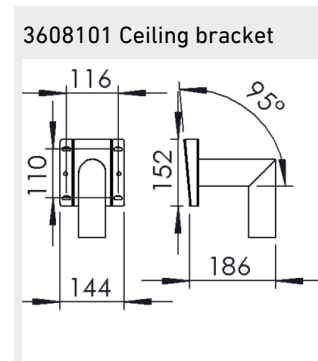
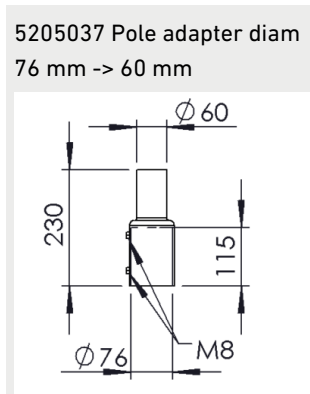
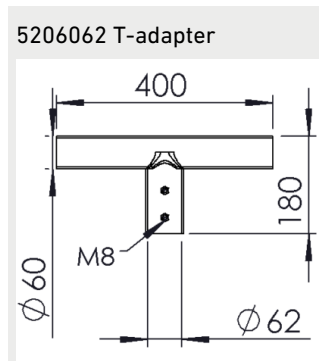
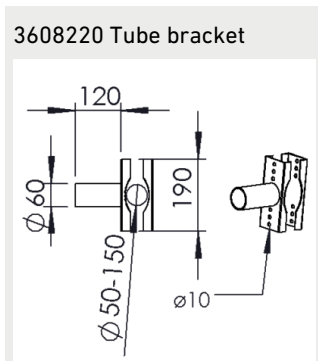
A) Optic family A: GLVMS50, GLVMS66, GLVMS102, GLVMS135, GLVMS168

B) Optic family B

Dimensions



Brackets



Circuit breakers

	B10	B16	B20	C10	C16	C20
GLVMS50, GLVMS66, GLVM67	8	12	15	12	20	24
GLVM99, GLVMS102	7	12	15	12	20	24
GLVM130, GLVMS135	5	9	11	9	15	18
GLVM166, GLVMS168	4	8	10	6	13	16

i

CUSTOMER SERVICE:

tel;+358 20 125 5800

info@greenled.fi