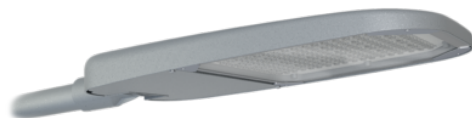


# VEGA L



Vega L is a versatile street luminaire that adapts to your future Smart City needs. The design and technical features of the luminaire are perfect for Scandinavian conditions. The luminaire has a smooth body that keeps any trash from clinging to it. Vega L is designed to endure Nordic snow and slush. The luminaire is manufactured in Finland and it fulfils the NMF LED luminaire requirements.

## Benefits

Vega L is an energy-efficient, sustainable luminaire with outstanding customisation opportunities. With all the power and light distribution options combined, the luminaire has well over a million possible configurations. Vega L adapts to future Smart City needs. The luminaire may be equipped with Zhaga and NEMA sockets.

## Suitability

Vega L is suitable for various street lighting needs, including roads in urban areas, city streets, roads in rural areas and motorways.



## Product families and variants

MODEL	TYPE CODE	POWER	POWER TUNING RANGE <sup>1)</sup>	LUMINOUS FLUX	LUMINAIRE EFFICACY	LIFETIME	OPERATING TEMPERATURE	OPTICAL SAFETY DISTANCE <sup>2)</sup>
VEGA L	GLVL113 <sup>(B)</sup>	119 W	17-100%	19670 lm	165 lm/W	L98, C10 100 000 h	-40 - +45°C	3.9 m
VEGA L	GLVLS117 <sup>(A)</sup>	123 W	24-100%	18570 lm	151 lm/W	L98, C10 100 000 h	-40 - +45°C	4.0 m
VEGA L	GLVL129 <sup>(B)</sup>	137W	17-100%	22480 lm	164 lm/W	L98, C10 100 000 h	-40 - +45°C	4.2 m
VEGA L	GLVLS140 <sup>(A)</sup>	149 W	14-100%	22290 lm	149 lm/W	L98, C10 100 000 h	-40 - +40°C	4.4 m
VEGA L	GLVL145 <sup>(B)</sup>	153 W	10-100%	25290 lm	165 lm/W	L98, C10 100 000 h	-40 - +45°C	4.4 m
VEGA L	GLVL161 <sup>(B)</sup>	172 W	10-100%	28100 lm	164 lm/W	L98, C10 100 000 h	-40 - +40°C	4.7 m
VEGA L	GLVL177 <sup>(B)</sup>	187 W	10-100%	30910lm	165 lm/W	L98, C10 100 000 h	-40 - +40°C	4.9 m
VEGA L	GLVL193 <sup>(B)</sup>	206 W	10-100%	33720 lm	164 lm/W	L98, C10 100 000 h	-40 - +35°C	5.1 m
VEGA L	GLVLS198 <sup>(A)</sup>	213 W	10-100%	30190lm	142 lm/W	L98, C10 100 000 h	-40 - +30°C	5.1 m
VEGA L	GLVL231 <sup>(B)</sup>	250 W	10-100%	38330 lm	154 lm/W	L98, C10 100 000 h	-40 - +25°C	5.4 m
VEGA L	GLVL253 <sup>(B)</sup>	271 W	10-100%	42160 lm	156 lm/W	L98, C10 100 000 h	-40 - +25°C	5.6 m
VEGA L	GLVL276 <sup>(B)</sup>	296 W	10-100%	45990 lm	156 lm/W	L98, C10 100 000 h	-40 - +25°C	5.9 m

### Notes:

The nominal luminous flux is the indicative LED luminous flux, based on information provided by the LED manufacturer, with 4000K colour temperature and CRI70 colour rendering. The real luminous flux of the luminaire depends on its environment (e.g. temperature or impurities), the colour temperature and colour rendering of the LED as well as the optical efficiency of the luminaire. All values in ambient temperature of +25°C with CLO constant light output control and light distribution V11 or 07. Luminous flux tolerance +-10%, power tolerance +-10%.

1) Dimming range is a subject to change, if output power optimization has been done. Tolerance of the dimming range  $\pm 10\%$ .

2) The luminaire should be positioned so that prolonged staring into the luminaire at a distance closer than optical safety distance is not expected.



i

i

i

A) Optic family A (for example 07)

B) Optic family B (for example V07)

Luminous flux factors:

LED 3000K CRI70 = 0,91

LED 5000K CRI70 = 1,00

i

## Dimensions

MODEL	TYPE CODE	LENGTH (L)	HEIGHT (H)	WIDTH (W)	WEIGHT
VEGA L	GLVL113 <sup>(B)</sup>	690 mm	75 mm	360 mm	11,0 kg
VEGA L	GLVLS117 <sup>(A)</sup>	690 mm	75 mm	360 mm	11,0 kg
VEGA L	GLVL129 <sup>(B)</sup>	690 mm	75 mm	360 mm	11,0 kg
VEGA L	GLVLS140 <sup>(A)</sup>	690 mm	75 mm	360 mm	11,0 kg
VEGA L	GLVL145 <sup>(B)</sup>	690 mm	75 mm	360 mm	11,0 kg
VEGA L	GLVL161 <sup>(B)</sup>	690 mm	75 mm	360 mm	11,0 kg
VEGA L	GLVL177 <sup>(B)</sup>	690 mm	75 mm	360 mm	11,0 kg
VEGA L	GLVL193 <sup>(B)</sup>	690 mm	75 mm	360 mm	12,0 kg
VEGA L	GLVLS198 <sup>(A)</sup>	690 mm	75 mm	360 mm	12,0 kg
VEGA L	GLVL231 <sup>(B)</sup>	690 mm	75 mm	360 mm	12,0 kg
VEGA L	GLVL253 <sup>(B)</sup>	690 mm	75 mm	360 mm	12,0 kg
VEGA L	GLVL276 <sup>(B)</sup>	690 mm	75 mm	360 mm	12,0 kg

## General Description

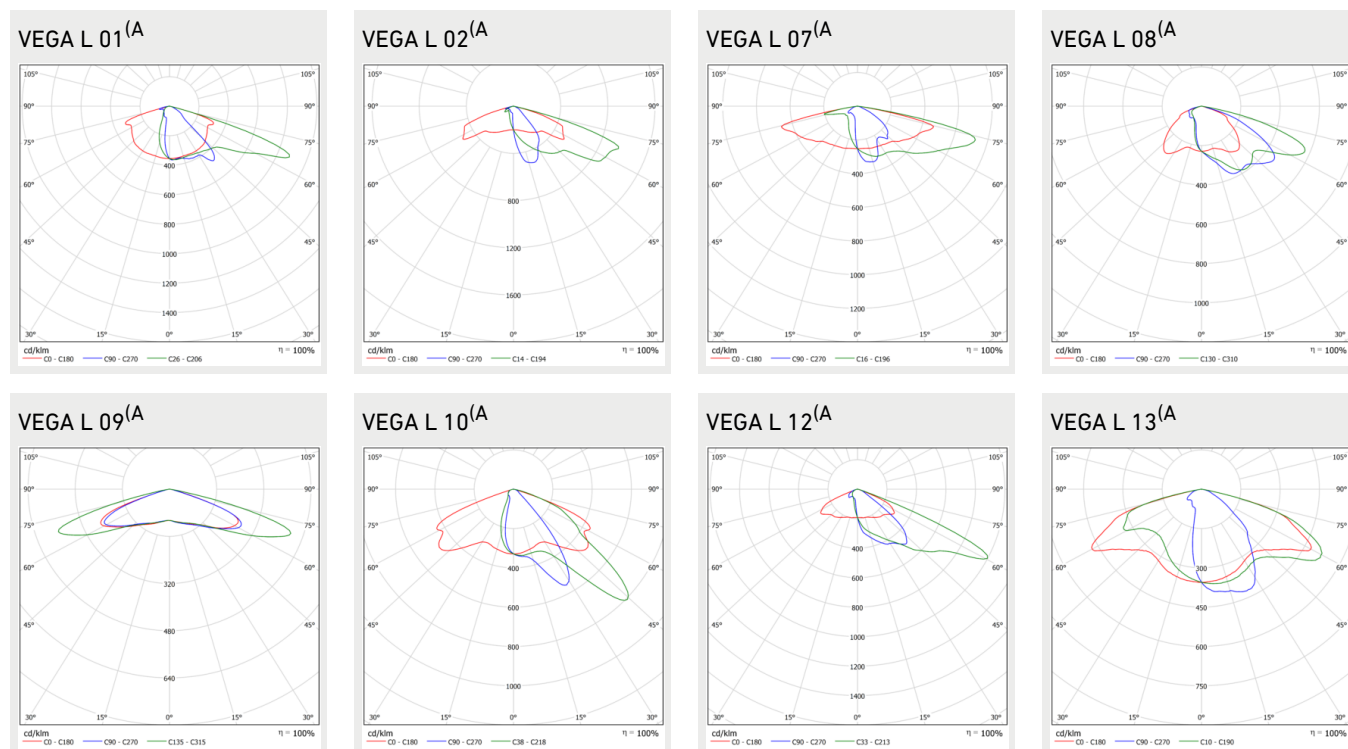
<b>COLOUR TEMPERATURE:</b>	3000 K, 4000 K, 5000 K <sup>(1)</sup>
<b>COLOUR RENDERING INDEX:</b>	$R_A \geq 70$
<b>LIGHT SOURCE SHIELD:</b>	Toughened glass
<b>IP CLASS:</b>	IP66
<b>IK CLASS:</b>	IK08
<b>SUPPLY VOLTAGE:</b>	220-240 Vac
<b>FREQUENCY:</b>	50-60 Hz
<b>PF:</b>	>0.95
<b>THD:</b>	10%
<b>OVERVOLTAGE PROT.:</b>	10kV L/N-Ground & 6kV L-N
<b>CONNECTION:</b>	Luminaire internal terminal block (installation cable as an option)

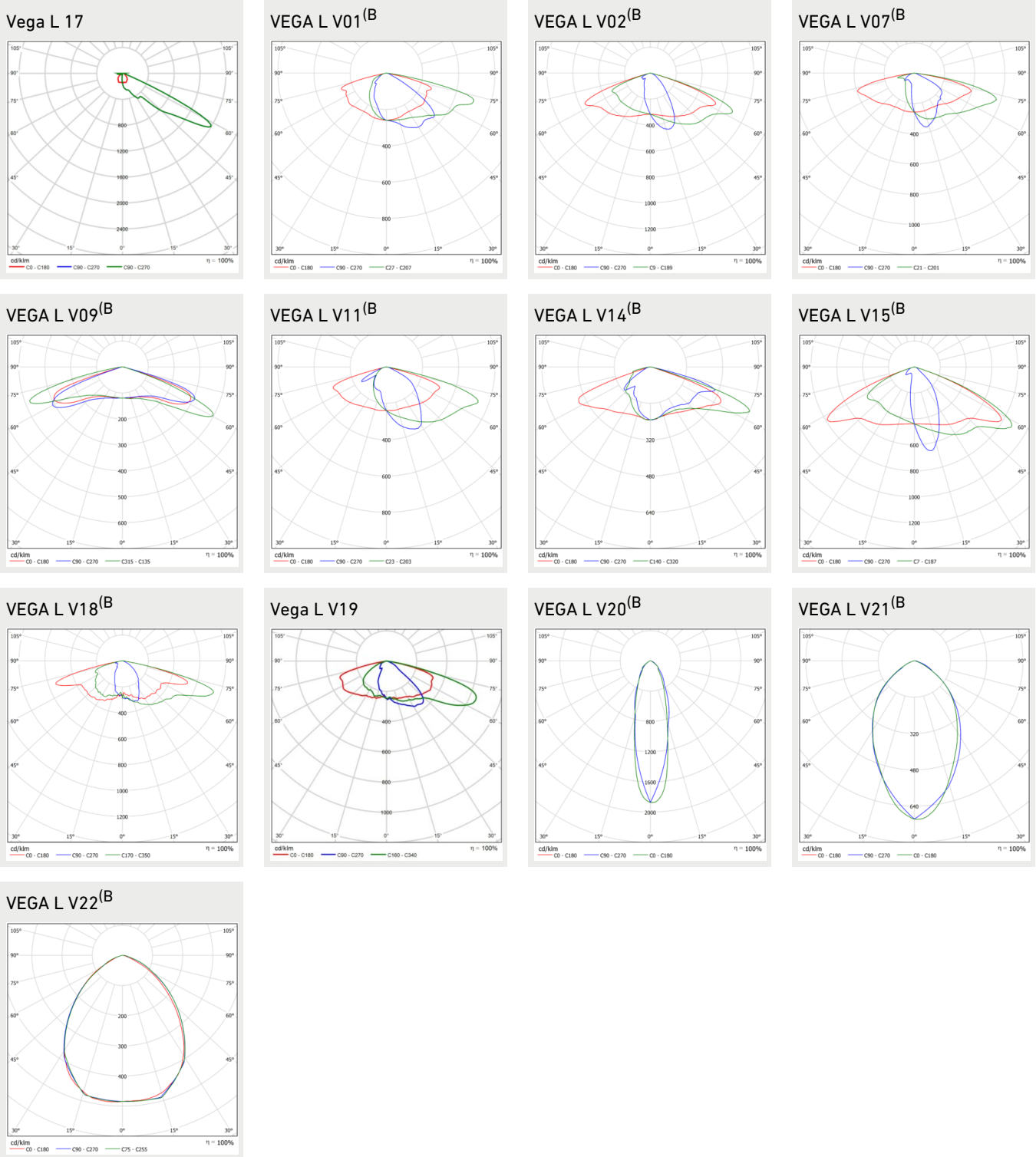
<b>DIMMABILITY:</b>	ON/OFF, AstroDIM, StepDIM <sup>(2)</sup> , MainsDIM, DALI 3)
<b>COLOUR:</b>	RAL9006, other RAL colours as an option
<b>MATERIAL OF THE LUMINAIRE BODY:</b>	Aluminium
<b>GUARANTEE:</b>	8 years
<b>ACCESSORIES (INSTALLATION):</b>	3608220 Tube bracket, 5206062 T-adapter, 5205037 Pole adapter diam 76 mm -> 60 mm, 3608101 Ceiling bracket, 3608061 Wall bracket, 9905253 Vega flood Bracket, 9910082 Pipe Bracket
<b>ACCESSORIES (OTHERS):</b>	Protection class II – assembly

## Notes:

- 1) SDCM 5
- 2) GLVL113, GLVLS117, GLVL129, GLVLS140, GLVL193, GLVLS198, GLVL231, GLVL253, GLVL276
- 3) GLVLS140, GLVLS198, GLVL193 requires 2 addresses

## Light distribution





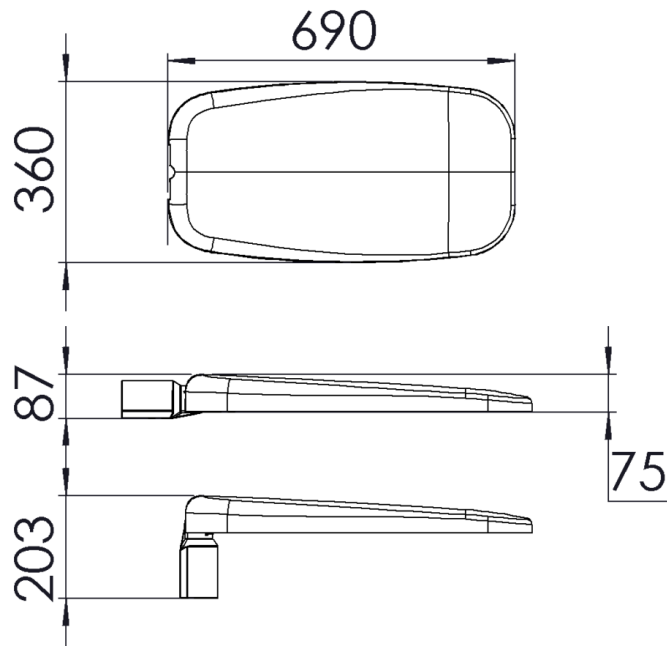
## Notes:

A) Optic family A: GLVLS117, GLVLS140, GLVLS198

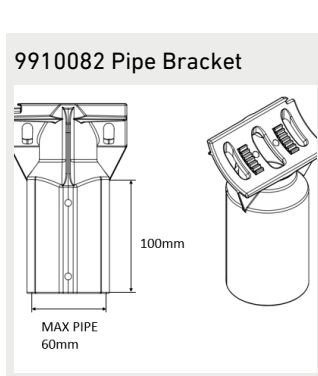
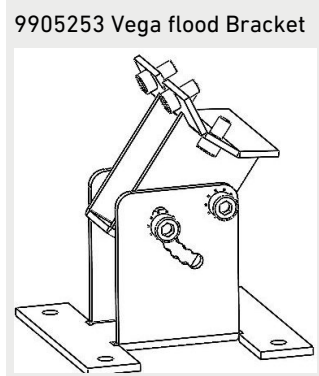
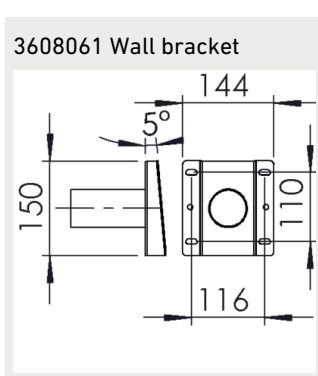
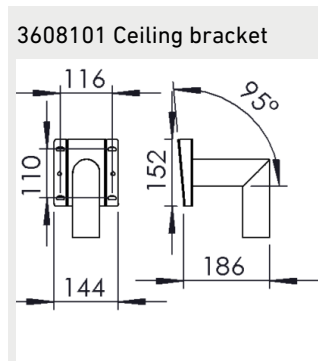
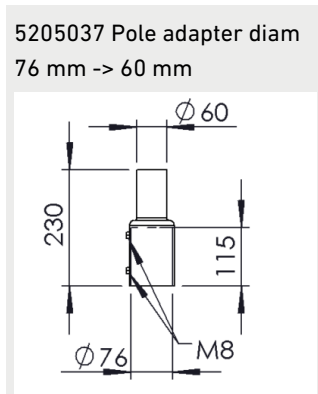
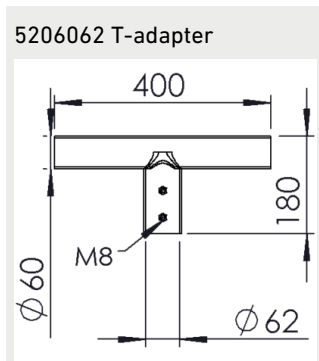
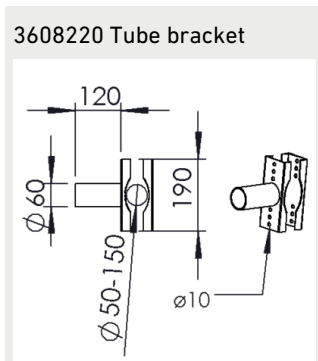
B) Optic family B

## Dimensions

Vega L



## Brackets



## Circuit breakers

	B10	B16	B20	C10	C16	C20
GLVL113, GLVLS117, GLVL129	5	8	10	8	13	16
GLVLS140, GLVL193, GLVLS198	3	5	6	5	8	10
GLVL145, GLVL161, GLVL177	4	8	10	6	13	16
GLVL231, GLVL253, GLVL276	4	7	8	5	9	11

i

## **CUSTOMER SERVICE:**

tel;+358 20 125 5800

info@greenled.fi