

SIRIUS S GEN2



Sirius S Gen2 is the smallest model in the energy-efficient street luminaire series. The updated Sirius luminaire family was designed to suit varying weather conditions. The luminaire family has a sleek and consistent new appearance, and it is easy to keep clean. Sirius' timeless Scandinavian design suits areas built in different time periods. Sirius combines good looks, durable materials and practicality. Sirius S Gen2 luminaires are suitable for various applications, such as urban and residential streets, parks and outdoor/sporting routes.

Benefits

A reliable street luminaire family of clear and uniform design; language suitable all the way from parks to streets; High IP66 class combined with durable impact resistant IK09 structure; Wide selection of different lenses covering different lighting needs and pole spacing. The product combines low glare value; and low cost of ownership. Constant light output (CLO) as a standard feature.

Suitability

Sidewalks, cycle tracks, parks, streets of residential areas and hiking tracks. The luminaire is suitable also for area and facade lighting.

Product families and variants

MODEL	TYPE CODE	POWER	LUMINOUS FLUX	LUMINAIRE EFFICACY	LIFETIME	OPERATING TEMPERATURE	OPTICAL SAFETY DISTANCE ¹⁾
SIRIUS S GEN2	GLS2G2S-20, GLS2G2S4-20	23 W	3050 lm	139 lm/W	L98, C10 100 000 h	-40 - +45°C	
SIRIUS S GEN2	GLS2G2S-40, GLS2G2S4-40	44 W	5490 lm	135 lm/W	L98, C10 100 000 h	-40 - +45°C	2,3 m ⁽¹⁾
SIRIUS S GEN2	GLS2G4S-35	36 W	5620 lm	158 lm/W	L98, C10 100 000 h	-40 - +45°C	
SIRIUS S GEN2	GLS2G4S-65	67 W	9840 lm	148 lm/W	L98, C10 100 000 h	-40 - +35°C	2,3 m ⁽¹⁾

Notes:

All values in ambient temperature of +25°C with CCT 4000K and light distribution S02, luminous flux tolerance +-10%, output power tolerance +-10%.

1) The luminaire should be positioned so that prolonged staring into the luminaire at a distance closer than 2.3 m can not be expected.

Luminous flux factors:

LED 3000K CRI70 = 0,91

LED 5000K CRI70 = 1,00

Dimensions

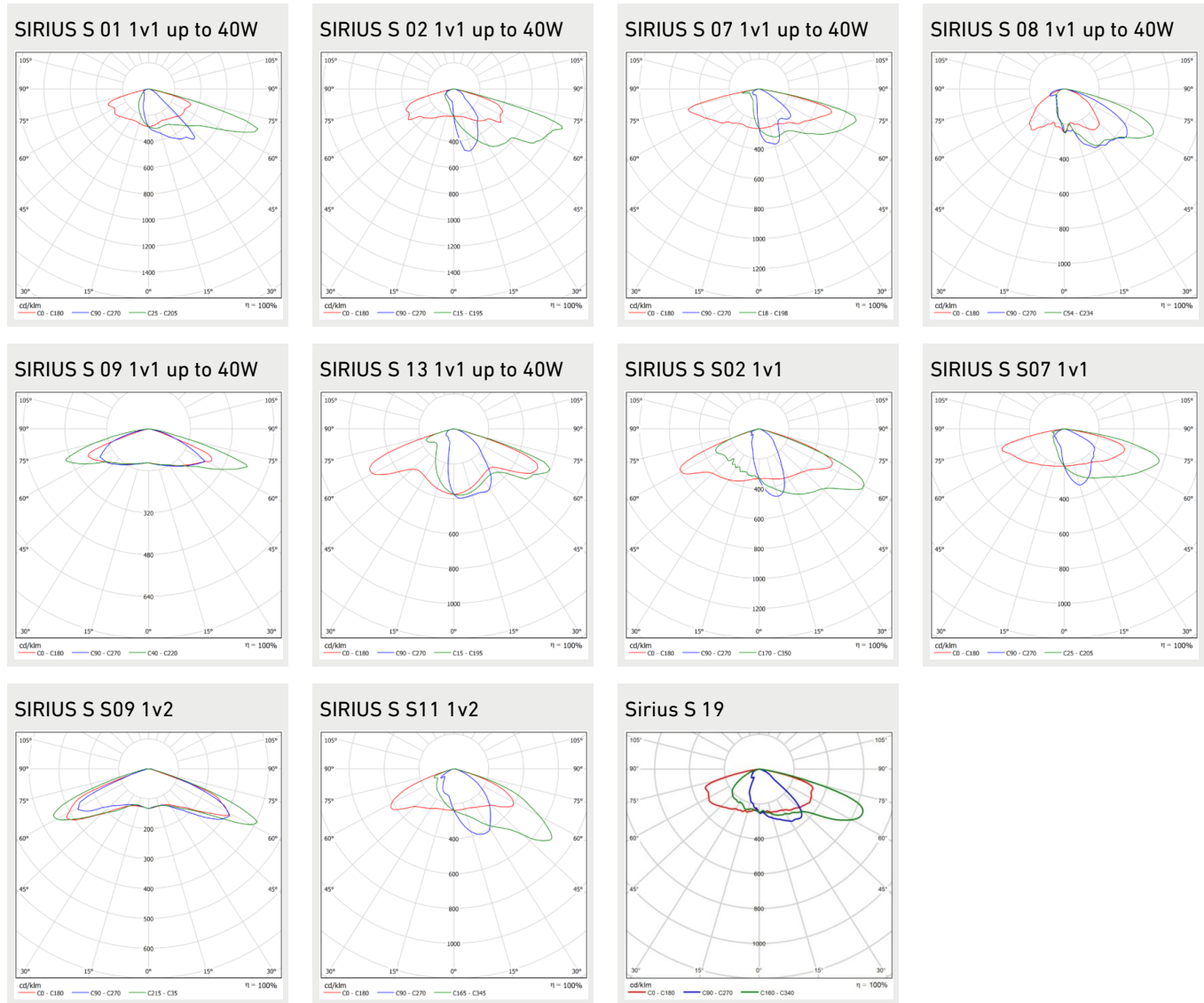
MODEL	TYPE CODE	LENGTH (L)	HEIGHT (H)	WIDTH (W)	WEIGHT
SIRIUS S GEN2	GLS2G2S-20, GLS2G2S4-20	402 mm	75 mm	235 mm	4,3 kg
SIRIUS S GEN2	GLS2G2S-40, GLS2G2S4-40	402 mm	75 mm	235 mm	4,3 kg
SIRIUS S GEN2	GLS2G4S-35	402 mm	75 mm	235 mm	4,3 kg
SIRIUS S GEN2	GLS2G4S-65	402 mm	75 mm	235 mm	4,3 kg

General Description

COLOUR TEMPERATURE:	3000 K, 4000 K, 5000 K
COLOUR RENDERING INDEX:	$R_A \geq 70$
IP CLASS:	IP66
IK CLASS:	IK09
SUPPLY VOLTAGE:	120-277 Vac
FREQUENCY:	50-60 Hz

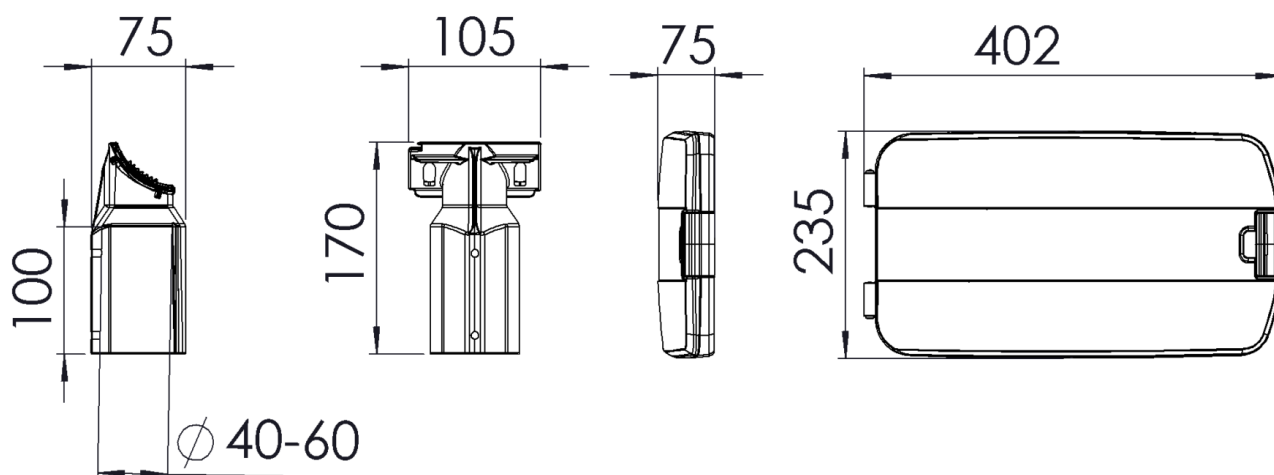
PF:	>0.9
THD:	10%
OVERVOLTAGE PROT.:	10kV L/N-Ground & SD-Ground
CONNECTION:	Luminaire internal terminal block, installation cable as an option. i
DIMMABILITY:	ON/OFF, AstroDIM, DALI
COLOUR:	RAL9006, other RAL colours as an option
MATERIAL OF THE LUMINAIRE BODY:	Recycled aluminium
GUARANTEE:	8 years
ACCESSORIES (INSTALLATION):	3608220 Tube bracket, 5206062 T-adapter, 5205037 Pole adapter diam 76 mm -> 60 mm, 3608101 Ceiling bracket, 3608061 Wall bracket

Light distribution

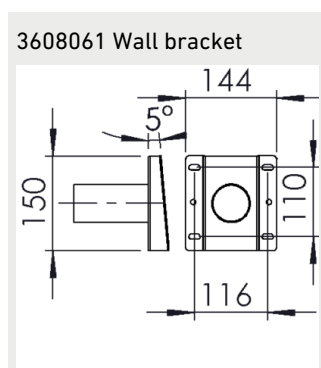
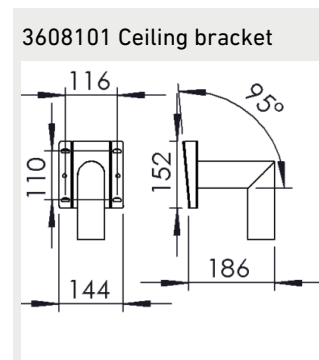
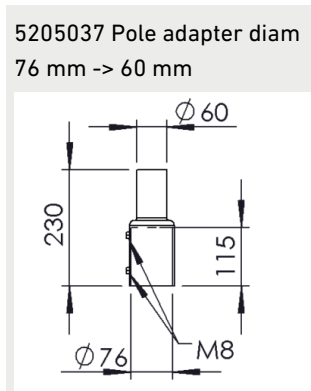
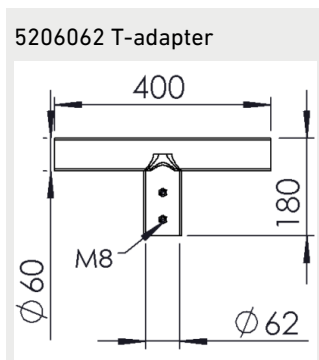
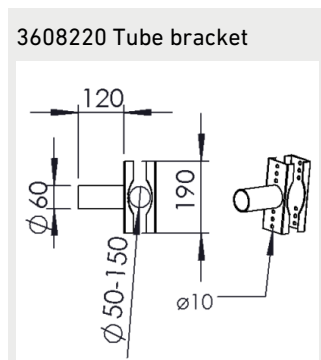


Dimensions

Dimensional drawing



Brackets



Circuit breakers

	B10	B16	B20	C10	C16
SIRIUS 2S GEN2, SIRIUS 4S GEN2 < 45 W	10	17	20	16	27
SIRIUS 4S GEN2 > 44 W	7	12	14	11	18

i

CUSTOMER SERVICE:

tel: +358 20 125 5800

info@greenled.fi