

SIGMA GEN3 PRO



Sigma Gen3 Pro luminaire combines functionality with clear streamlined appearance. Sigma Gen3 Pro is an environmentally tolerant (IP65 & IK09/IK08) luminaire with seamless wall surfaces that are easy to keep clean. Available versions with separate driver box for high ambient temperature environments (Ta+50°C, Ta+60°C, Ta+70°C) and surface treatment options for different applications and environments.

Benefits

LED high bay luminaire with high luminous output, energy efficiency and long lifetime for industry and sport premises. Environmentally tolerant structure for demanding conditions (IP65 & IK09/IK08 & pressure equalizing vent). Luminaire is easy to assemble, keep clean and maintain.

Suitability

Thanks to its high-quality and versatile light distributions, the luminaire is well suited for lighting industrial or food industry premises, warehouses as well as sports facilities. The most efficient versions in terms of light output are particularly suitable for lighting high industrial premises.

Product families and variants

MODEL	TYPE CODE	POWER	LUMINOUS FLUX	LUMINAIRE EFFICACY	LIFETIME	OPERATING TEMPERATURE
Pro 677mm	GLSG3P01134	134W	21140lm	158lm/W	L80B50>100 000h, L90B50=50 000h, C10 100 000h	-40 - +40°C
Pro 1260mm	GLSG3P01204	204W	34560lm	169lm/W	L80B50>100 000h, L90B50=50 000h, C10 100 000h	-40 - +45°C
Pro 1260mm	GLSG3P01281	281W	44890lm	160lm/W	L80B50>100 000h, L90B50=50 000h, C10 100 000h	-40 - +30°C
Pro 1260mm Ta+70°C	GLSG3P01137ED	137W	24380lm, (23260lm ⁽¹⁾)	178lm/W (174lm/W ⁽¹⁾)	L80B50>100 000h, L90B50=50 000h, C10 100 000h (2)	-40 - +70°C
Pro 1260mm Ta+60°C	GLSG3P01205ED	205W	34920lm, (33660lm ⁽¹⁾)	170lm/W (167lm/W ⁽¹⁾)	L80B50>100 000h, L90B50=50 000h, C10 100 000h (2)	-40 - +60°C
Pro 1260mm Ta+50°C	GLSG3P01283ED	283W	45600lm, (44420lm ⁽¹⁾)	161lm/W (159lm/W ⁽¹⁾)	L80B50>100 000h, L90B50=50 000h, C10 100 000h (2)	-40 - +50°C

Notes:

All values at ambient temperature +25°C, CCT 4000K, CRI80, light distribution 90° deg, luminous flux +-10% tolerance, input power tolerance +-10%. Not for condensing operating environment.

1) Ta MAX values

2) Ta MAX values = L80B50 100 000h, C10 100 000h

Dimensions

MODEL	TYPE CODE	LENGTH (L)	HEIGHT (H)	WIDTH (W)	WEIGHT
Pro 677mm	GLSG3P01134	677 mm	77 mm	244 mm	6,7 kg
Pro 1260mm	GLSG3P01204	1260 mm	77 mm	244 mm	12,1 kg
Pro 1260mm	GLSG3P01281	1260 mm	77 mm	244 mm	12,2 kg
Pro 1260mm Ta+70°C	GLSG3P01137ED	1260 mm / 1010 mm	77 mm / 63 mm	244 mm / 87 mm	14,8 kg

MODEL	TYPE CODE	LENGTH (L)	HEIGHT (H)	WIDTH (W)	WEIGHT
Pro 1260mm Ta+60°C	GLSG3P01205ED	1260 mm / 1010 mm	77 mm / 63 mm	244 mm / 87 mm	14,8 kg
Pro 1260mm Ta+50°C	GLSG3P01283ED	1260 mm / 1010 mm	77 mm / 63 mm	244 mm / 87 mm	14,8 kg

General Description

COLOUR TEMPERATURE:	3000, 4000, 5000 K ⁽³⁾
COLOUR RENDERING INDEX:	$R_A \geq 80$ (option 90) ⁽⁴⁾
LIGHT SOURCE SHIELD:	Toughened glass ⁽⁵⁾
IP CLASS:	IP65
IK CLASS:	IK09 ⁽⁵⁾
SUPPLY VOLTAGE:	220-240 Vac
FREQUENCY:	50-60 Hz
PF:	> 0.90
THD:	20%
CONNECTION:	Internal terminal block 5*2.5 mm ² OR 3*2.5 mm ² and +/- DALI. (installation cable and chaining option)
DIMMABILITY:	On/Off, DALI
COLOUR:	Anodized grey (Option other RAL-coded colours)
MATERIAL OF THE LUMINAIRE BODY:	Recycled aluminium
GUARANTEE:	8 years ⁽⁶⁾
ACCESSORIES (INSTALLATION):	9905220 Sigma ceiling bracket, 9905221 Sigma suspension rail 70 bracket, 9905222 Sigma suspension rail 82 bracket, 9905223 Sigma suspension rail 110 bracket, 9905224 Sigma horizontal wire bracket (max 16 mm), 9905225 Sigma adjustable wall mount, 9905226 Sigma adjustable suspension rail bracket 70, 9905227 Sigma adjustable suspension rail bracket 82, 9905228 Sigma adjustable suspension rail bracket 110, 9905229 Sigma suspension bracket 1260mm, 9905210 Sigma ladder bracket, 9905231 Sigma threaded rod bracket, 9905249 Sigma beam bracket 1260mm, 3908115 Gamma Eco S ceiling bracket ⁽⁷⁾ , 3508171 Gamma Eco S suspension rail 70 bracket ⁽⁷⁾ , 3508172 Gamma Eco S suspension rail 82 bracket ⁽⁷⁾ , 3508173 Gamma Eco S suspension rail 110 bracket ⁽⁷⁾ , 3508174 Gamma Eco S horizontal wire bracket ⁽⁷⁾ , 9905202 Gamma Eco S ladder and threaded rod bracket ⁽⁷⁾
ACCESSORIES (OTHERS):	Antibacterial coating

Notes:

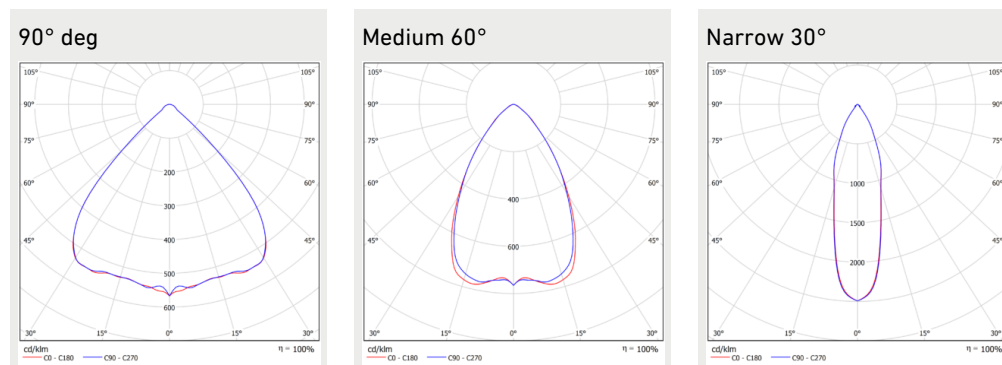
3) SDCM ≤ 3

4) Not available for models GLSG3P01137ED, GLSG3P01205ED and GLSG3P01283ED

5) Option PC (IK09) / PMMA (IK08)

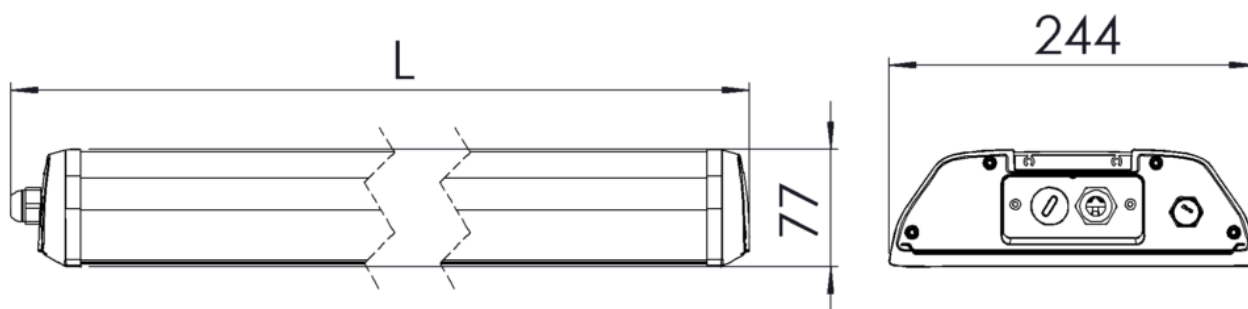
6) Models GLSG3P01205ED and GLSG3P01137ED warranty 5 years

Light distribution

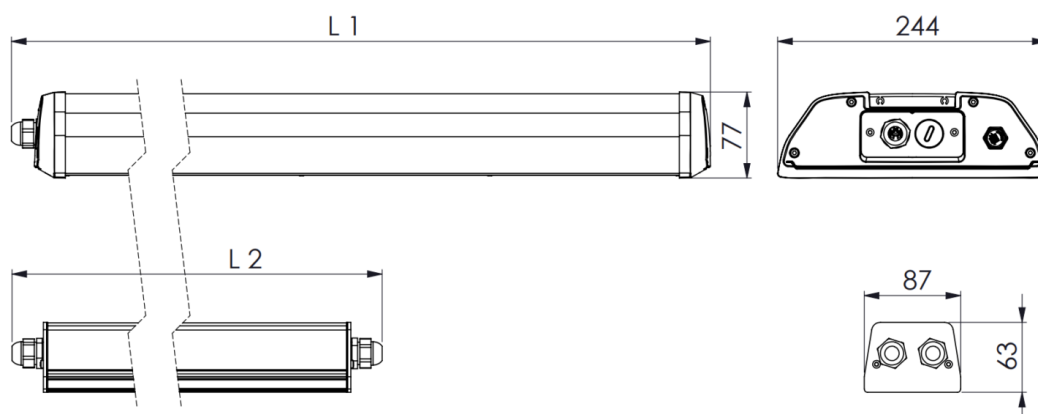


Dimensions

Sigma Gen3 Pro (mm)



Sigma Gen3 Pro Ta+70°C/Ta+60°C/Ta+50°C (mm)



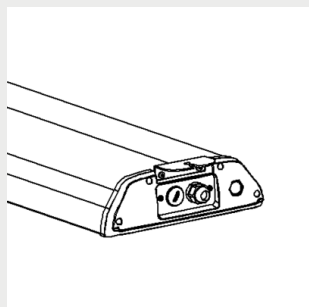
Notes:

L = 1260 mm

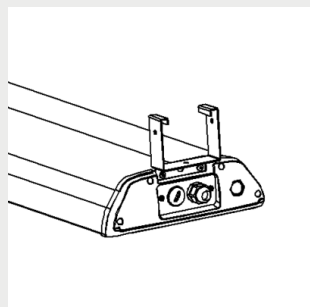
L1 = 1260 mm & L2 = 1010 mm

Brackets

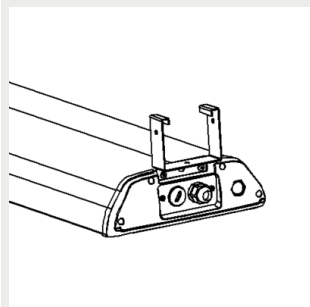
9905220 Sigma ceiling bracket



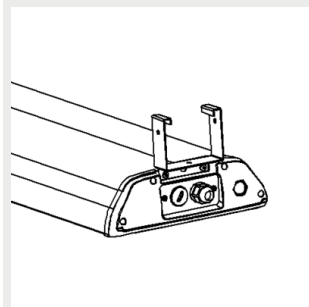
9905221 Sigma suspension rail 70 bracket



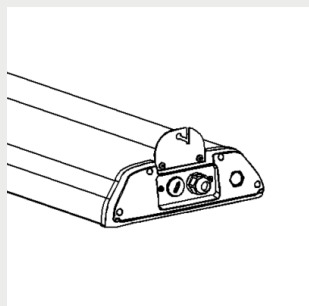
9905222 Sigma suspension rail 82 bracket



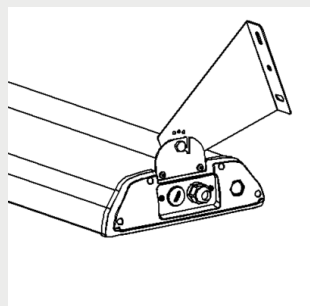
9905223 Sigma suspension rail 110 bracket



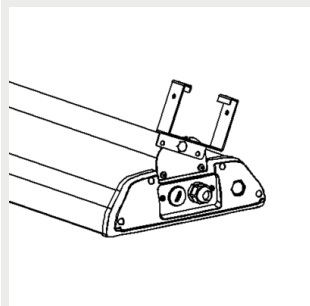
9905224 Sigma horizontal wire bracket (max 16 mm)



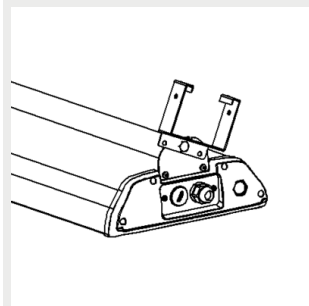
9905225 Sigma adjustable wall mount



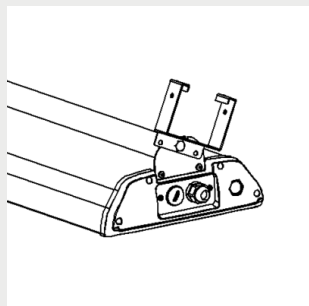
9905226 Sigma adjustable suspension rail bracket 70



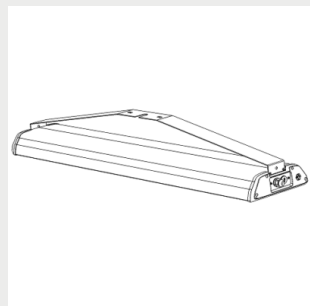
9905227 Sigma adjustable suspension rail bracket 82



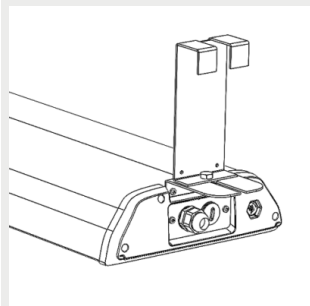
9905228 Sigma adjustable suspension rail bracket 110



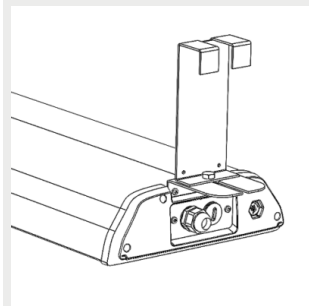
9905229 Sigma suspension bracket 1260mm



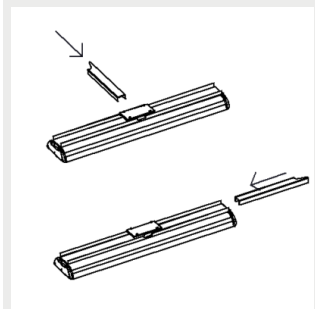
9905210 Sigma ladder bracket



9905231 Sigma threaded rod bracket



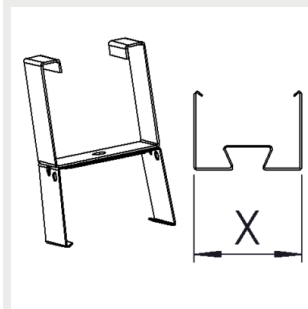
9905249 Sigma beam bracket 1260mm



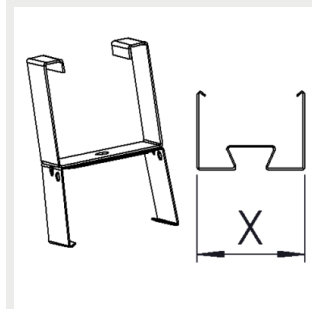
3908115 Gamma Eco S ceiling bracket⁽⁷⁾



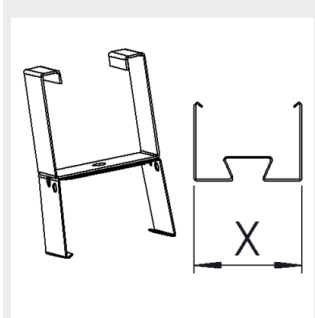
3508171 Gamma Eco S suspension rail 70 bracket⁽⁷⁾



3508172 Gamma Eco S suspension rail 82 bracket⁽⁷⁾



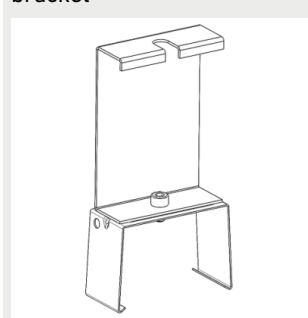
3508173 Gamma Eco S suspension rail 110 bracket⁽⁷⁾



3508174 Gamma Eco S horizontal wire bracket⁽⁷⁾



9905202 Gamma Eco S ladder and threaded rod bracket⁽⁷⁾



Notes:

7) Driver box bracket. 2 pcs per box.

Circuit breakers

	B10	B16	B20	C10	C16	C20
Sigma Gen3 Pro 677mm 134W OnOff	14	22	27	16	26	33
Sigma Gen3 Pro 677mm 134W DALI	14	22	27	16	26	33
Sigma Gen3 Pro 1260mm 204W OnOff	6	11	13	10	17	21
Sigma Gen3 Pro 1260mm 204W DALI	9	13	15	10	17	21
Sigma Gen3 Pro 1260mm 281W OnOff	7	11	13	7	12	15
Sigma Gen3 Pro 1260mm 281W DALI	7	11	13	7	12	15
Sigma Gen3 Pro 137W Ta+70°C OnOff & DALI	9	13	15	13	19	22
Sigma Gen3 Pro 205W Ta+60°C OnOff & DALI	9	13	15	10	17	21
Sigma Gen3 Pro 283W Ta+50°C OnOff & DALI	7	11	13	7	12	15

i

CUSTOMER SERVICE:

tel: +358 20 125 5800

info@greenled.fi