

# RIGEL GEN2



Rigel Gen 2 is a durable, high-quality luminaire designed for tough conditions. Thanks to its excellent adjustability and diverse light distribution properties, this luminaire is perfect for various large outdoor areas, such as sports grounds and parking lots. The installation and maintenance of the luminaire have been designed to be as easy as possible.

## Benefits

Rigel Gen 2 is an energy-efficient luminaire (140 lm/W) and, therefore, perfect for illuminating large areas. The shock-proof aluminium body of Rigel Gen 2 has been built to withstand challenging conditions (IK08). In addition, the luminaire is proofed against dust and water (IP66). Rigel Gen 2's well-designed cooling ribs minimise the accumulation of water and dirt. The cooling ribs also guarantee the long life of the LED components. The plug-and-play feature of Rigel Gen 2 makes it very easy to install. Thanks to the separate connection device casing, the luminaire is also easy and quick to service. The separate connection device can be installed 50m from the luminaire.

## Suitability

Rigel Gen 2 is perfect for lighting various outdoor sites such as sports fields, stadiums, storage areas, parking lots and for large area lighting needs.

## Product families and variants

MODEL	TYPE CODE	POWER	LUMINOUS FLUX	LUMINAIRE EFFICACY	LIFETIME	OPERATING TEMPERATURE
Rigel Gen2 800W	GLRIG2	800W	112000lm	140 lm/w	L80F10>100 000h	-30C - +40C
Rigel Gen2 1200W	GLRIG2	1200W	168000lm	140 lm/w	L80F10>100 000h	-30C - +40C

### Notes:

All values at ambient temperature +25°C, CCT 5000K, CRI70, LED3737, luminous flux +-10% tolerance, input power tolerance +-5%.

(800w LED5050 128000lm and 160lm/w; 1200w LED5050 192000lm and 160lm/w)

## Dimensions

MODEL	TYPE CODE	LENGTH (L)	HEIGHT (H)	WIDTH (W)	WEIGHT
Rigel Gen2 800W	GLRIG2	731 mm	356 mm	597 mm	29,8 kg
Rigel Gen2 1200W	GLRIG2	825 mm	356 mm	597 mm	33,2 kg

## General Description

<b>COLOUR TEMPERATURE:</b>	4000K, 5000K, 5700K
<b>COLOUR RENDERING INDEX:</b>	$R_A \geq 70$ (option 90 <sup>(1)</sup> )
<b>LIGHT SOURCE SHIELD:</b>	Glass
<b>IP CLASS:</b>	IP66
<b>IK CLASS:</b>	IK08
<b>SUPPLY VOLTAGE:</b>	100-240VAC / 277-480 VAC
<b>FREQUENCY:</b>	50 / 60 Hz
<b>PF:</b>	>0,92
<b>THD:</b>	10%
<b>OVERVOLTAGE PROT.:</b>	10kV L-L, 20kV L-Ground
<b>CONNECTION:</b>	3-pole installation cable, 2-pole DALI cable, 3pole DMX cable
<b>DIMMABILITY:</b>	DALI
<b>COLOUR:</b>	Black

<b>MATERIAL OF THE LUMINAIRE BODY:</b>	Aluminium
<b>GUARANTEE:</b>	5 years

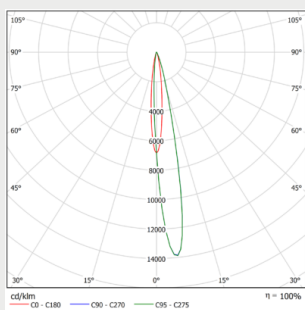
## Notes:

1) CRI90 only 5700k

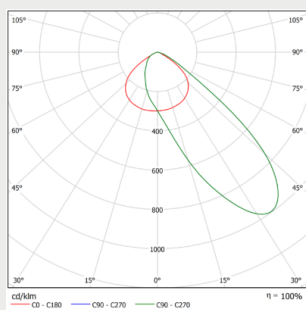
1200W 2 DALI addresses, 800W 1 DALI address

## Light distribution

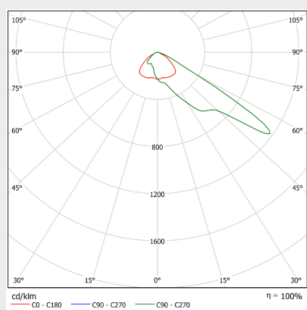
**F19801 12deg RIGEL GEN2**  
1200W 740 (3030\_3737) 0v1



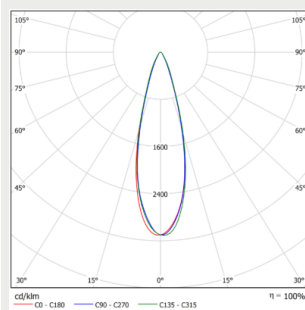
**F19802 II RIGEL GEN2**  
1200W 740 (5050) 0v1



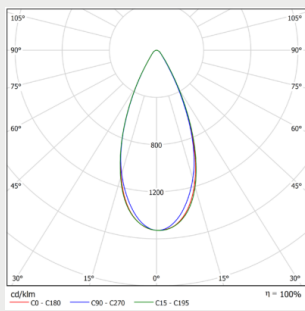
**F19803 IV RIGEL GEN2**  
1200W 740 (3030\_3737) 0v1



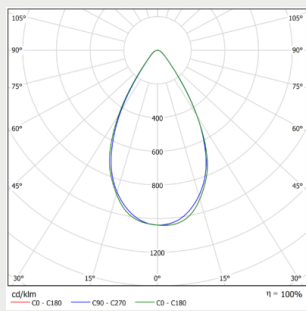
**F19804 30deg RIGEL GEN2**  
1200W 740 (5050) 0v1



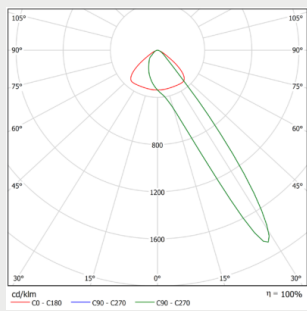
**F19805 45deg RIGEL GEN2**  
1200W 740 (5050) 0v1



**F19806 60deg RIGEL GEN2**  
1200W 740 (5050) 0v1

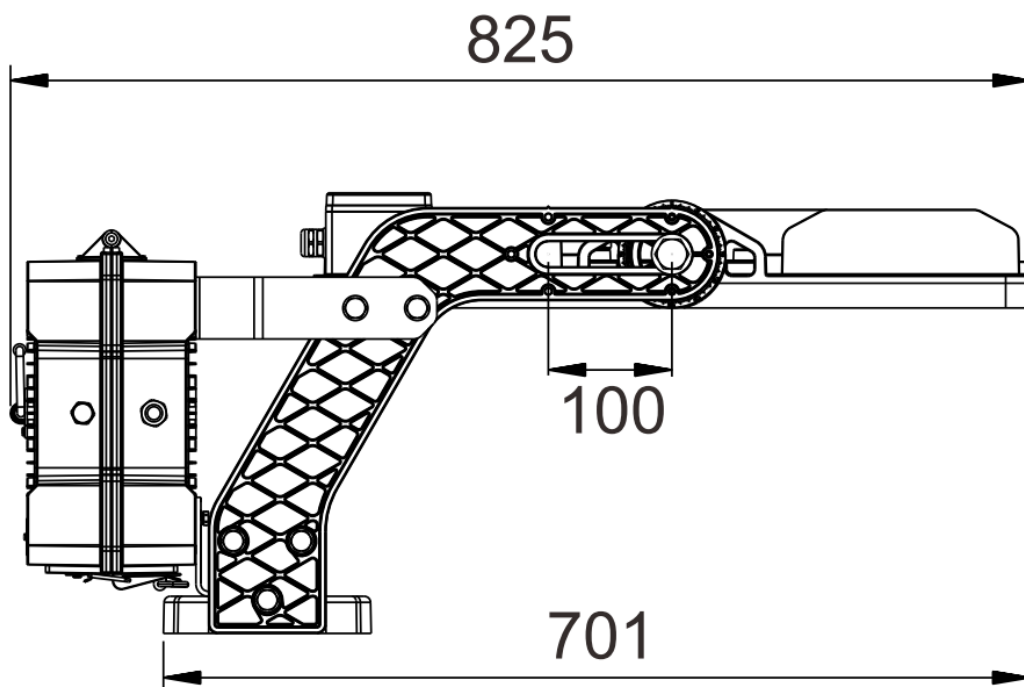


**F19808 I RIGEL GEN2 1200W**  
740 (3030\_3737) 0v1



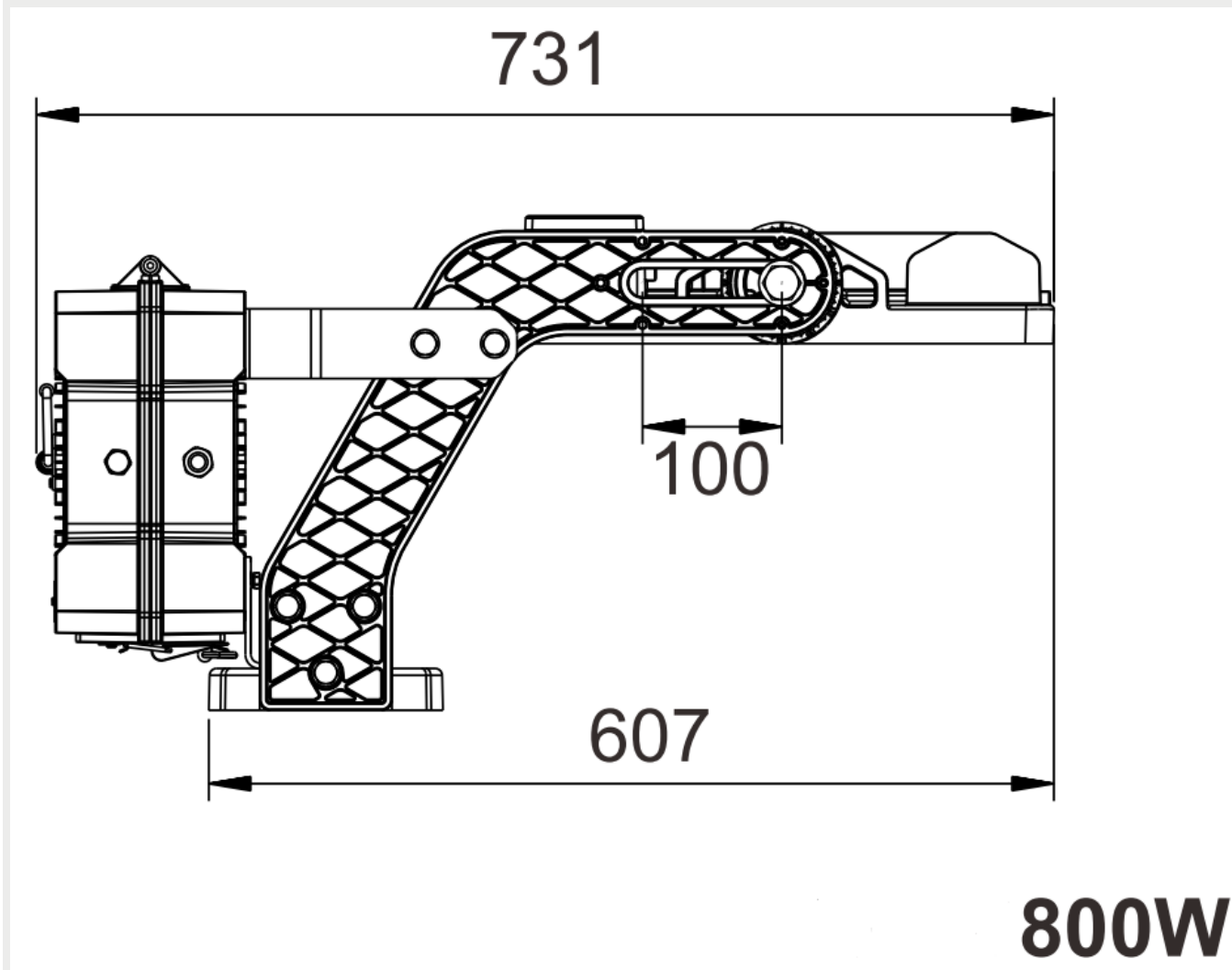
## Dimensions

Rigel Gen2 1200W measurements

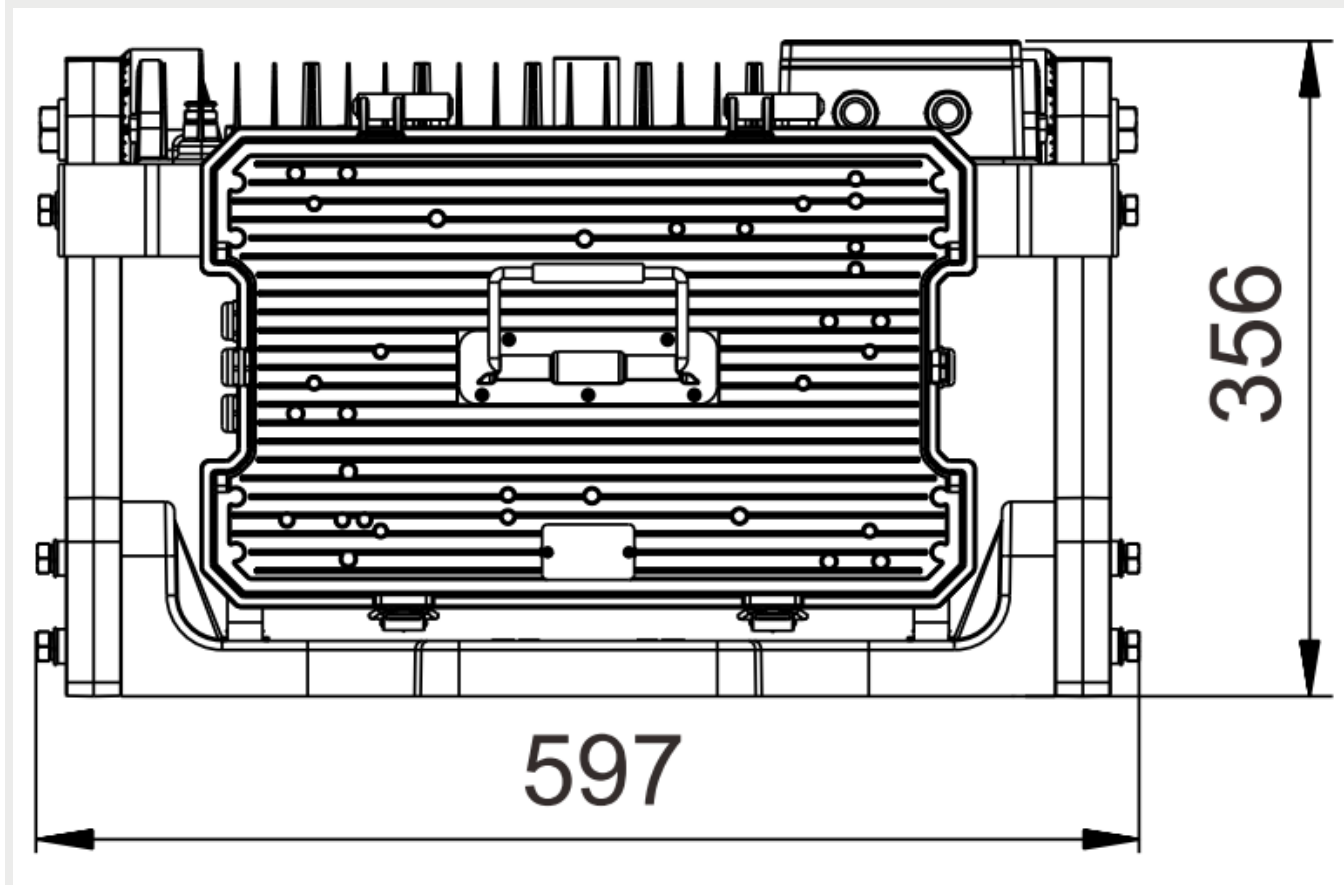


**1200W**

## Rigel Gen2 800W measurements



Rigel Gen2 measurements



## Circuit breakers

	B16	B32	C16	C32
Rigel Gen2 800W	1	2	2	4
Rigel Gen2 1200W	1	2	2	4

i

### CUSTOMER SERVICE:

tel: +358 20 125 5800

info@greenled.fi