

PHI SQUARE



Phi Square is an elegant opal or microprism luminaire with an evenly illuminating light surface. It is ideal for shops and offices. The textured surface and impeccable finishing give the luminaire a high-quality, premium look.

Phi Square has a wide aperture that enables soft and glare-free lighting. The luminaire is available in four different sizes.

Benefits

Phi Square offers an extremely even and consistent light surface with low glare ratings.

Phi Square is installed with wire brackets. Phi Square is delivered as modules and with ready-to-use connecting cables, which makes it easy and quick to assemble. The luminaire has no visible screws, and the wires and cables can be hidden in the indentation on the frame. The innovative solutions used in the luminaire include super magnets at the corners, and corner brackets that support the structure and prevent light leak.

Available control options are On/Off, DALI and wireless Casambi control.

The standard luminaire colour is either white (RAL 9003) with textured surface or black (RAL 9005) with textured surface. Optional colours are available according to the RAL

Suitability

Phi Square Opal and Opal C15 are an excellent solutions for shops and lobbies, where opal optics create a sense of space. Phi Square Opal C15 1245 60W, 1805 88W, 2365 116W and 2925 120W luminaires outperform the glare requirements of the WELL standard (L45/90<6000 cd/m²). The Phi Square Opal 1245 60W, 1805 88W and 2365 116W luminaires are also suitable for WELL (L45/90<6000 cd/m²) environments at the maximum lumen output of 90%.

Phi Square soft 75° optics are suitable for all office spaces, including open offices. The Phi Square soft 75° 1245 60W, 1805 88W and 2365 116W luminaires outperform the glare requirements of the WELL standard (L45/90<6000 cd/m² or UGR<16) and the glare requirements for DSE workstation lighting (EN 12464-1 (2021): DSE L65 > 3000 cd/m²).



GREENLED

Product families and variants

MODEL	TYPE CODE	POWER	LUMINOUS FLUX	LUMINAIRE EFFICACY	LIFETIME	OPERATING TEMPERATURE
Phi Square 1245	GLPS0106012	60 W	9240 lm	154 lm/W	L80B50>100 000h, L90B50>70 000h C10 100 000h	0 - +45°C
Phi Square 1245	GLPS0108812	88 W	13840 lm	157 lm/W	L80B50>100 000h, L90B50>70 000h C10 100 000h	0 - +45°C
Phi Square 1245	GLPS0112412	124 W	18240 lm	147 lm/W	L80B50>100 000h, L90B50>70 000h C10 100 000h	0 - +45°C
Phi Square 1805	GLPS0108818	88 W	13880 lm	158 lm/w	L80B50>100 000h, L90B50>70 000h C10 100 000h	0 - +45°C
Phi Square 1805	GLPS0113218	132 W	20760 lm	157 lm/W	L80B50>100 000h, L90B50>70 000h C10 100 000h	0 - +45°C
Phi Square 1805	GLPS0118018	180 W	27360 lm	152 lm/W	L80B50>100 000h, L90B50>70 000h C10 100 000h	0 - +40°C
Phi Square 2365	GLPS0111623	116 W	18520 lm	160 lm/W	L80B50>100 000h, L90B50>70 000h C10 100 000h	0 - +45°C
Phi Square 2365	GLPS0117223	172 W	27720 lm	161 lm/W	L80B50>100 000h, L90B50>70 000h C10 100 000h	0 - +40°C
Phi Square 2365	GLPS0123223	232 W	36520 lm	157 lm/W	L80B50>100 000h, L90B50>70 000h C10 100 000h	0 - +40°C
Phi Square 2925	GLPS0112029	120 W	18600 lm ⁽¹⁾	155 lm/W ⁽¹⁾	L80B50>100 000h, L90B50>84 000h C10 100 000h	0 - +40°C
Phi Square 2925	GLPS0128829	288 W	43200 lm ⁽¹⁾	150 lm/W ⁽¹⁾	L80B50>100 000h, L90B50>71 000h C10 100 000h	0 - +40°C

Notes:

All values in ambient temperature of +25°C, CCT 4000K, CRI 80, light distribution Phi Square-Arrow Opal, luminous flux tolerance +-5%, output power tolerance +-5%. Use environment must be non condensing.

1)Phi Square 2925 versions values are with light distribution Phi Square-Arrow Opal C15

Dimensions

MODEL	TYPE CODE	LENGTH (L)	HEIGHT (H)	WIDTH (W)	WEIGHT
Phi Square 1245	GLPS0106012	1245 mm	71 mm ⁽²⁾	1245 mm	17,1 kg

MODEL	TYPE CODE	LENGTH (L)	HEIGHT (H)	WIDTH (W)	WEIGHT
Phi Square 1245	GLPS0108812	1245 mm	71 mm ⁽²⁾	1245 mm	17,1 kg
Phi Square 1245	GLPS0112412	1245 mm	71 mm ⁽²⁾	1245 mm	17,1 kg
Phi Square 1805	GLPS0108818	1805 mm	71 mm ⁽²⁾	1805 mm	23,9 kg
Phi Square 1805	GLPS0113218	1805 mm	71 mm ⁽²⁾	1805 mm	23,9 kg
Phi Square 1805	GLPS0118018	1805 mm	71 mm ⁽²⁾	1805 mm	23,9 kg
Phi Square 2365	GLPS0111623	2365 mm	71 mm ⁽²⁾	2365 mm	29,9 kg
Phi Square 2365	GLPS0117223	2365 mm	71 mm ⁽²⁾	2365 mm	29,9 kg
Phi Square 2365	GLPS0123223	2365 mm	71 mm ⁽²⁾	2365 mm	29,9 kg
Phi Square 2925	GLPS0112029	2925 mm	71 mm ⁽²⁾	2925 mm	35,8 kg
Phi Square 2925	GLPS0128829	2925 mm	71 mm ⁽²⁾	2925 mm	35,8 kg

General Description

COLOUR TEMPERATURE:	3000 K, 4000 K, 5000 K ^3
COLOUR RENDERING INDEX:	$R_A \geq 80, 90$
OPTIC:	Opal, Microprism+Diffuser (soft 75°), Opal C15
LIGHT SOURCE SHIELD:	PMMA
IP CLASS:	IP20
SUPPLY VOLTAGE:	220-240 Vac
FREQUENCY:	50-60 Hz
PF:	>0,9
THD:	20%
CONNECTION:	max 5*2,5mm ² OR max 3*2,5mm ² and DALI +/-
DIMMABILITY:	Casambi, DALI, On/off
COLOUR:	White (RAL9003) with textured surface or black (RAL9005) with textured surface. Optional: other color options from RAL chart.
MATERIAL OF THE LUMINAIRE BODY:	Steel
GUARANTEE:	5 years
ACCESSORIES (INSTALLATION):	G00407 Vertical wire suspension kit 5m, G00408 Vertical suspension wire kit 3m

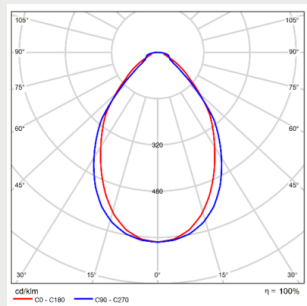
Notes:

2) Height with light distribution Phi Square-Arrow Opal C15 is 86mm

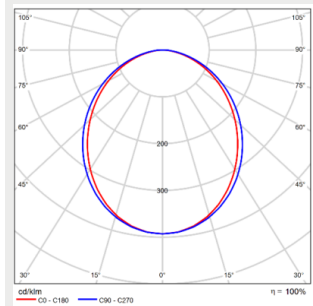
3) SDCM ≤ 3

Light distribution

Phi Square-Arrow soft 75° ⁽⁴⁾



Phi Square-Arrow Opal ⁽⁴⁾

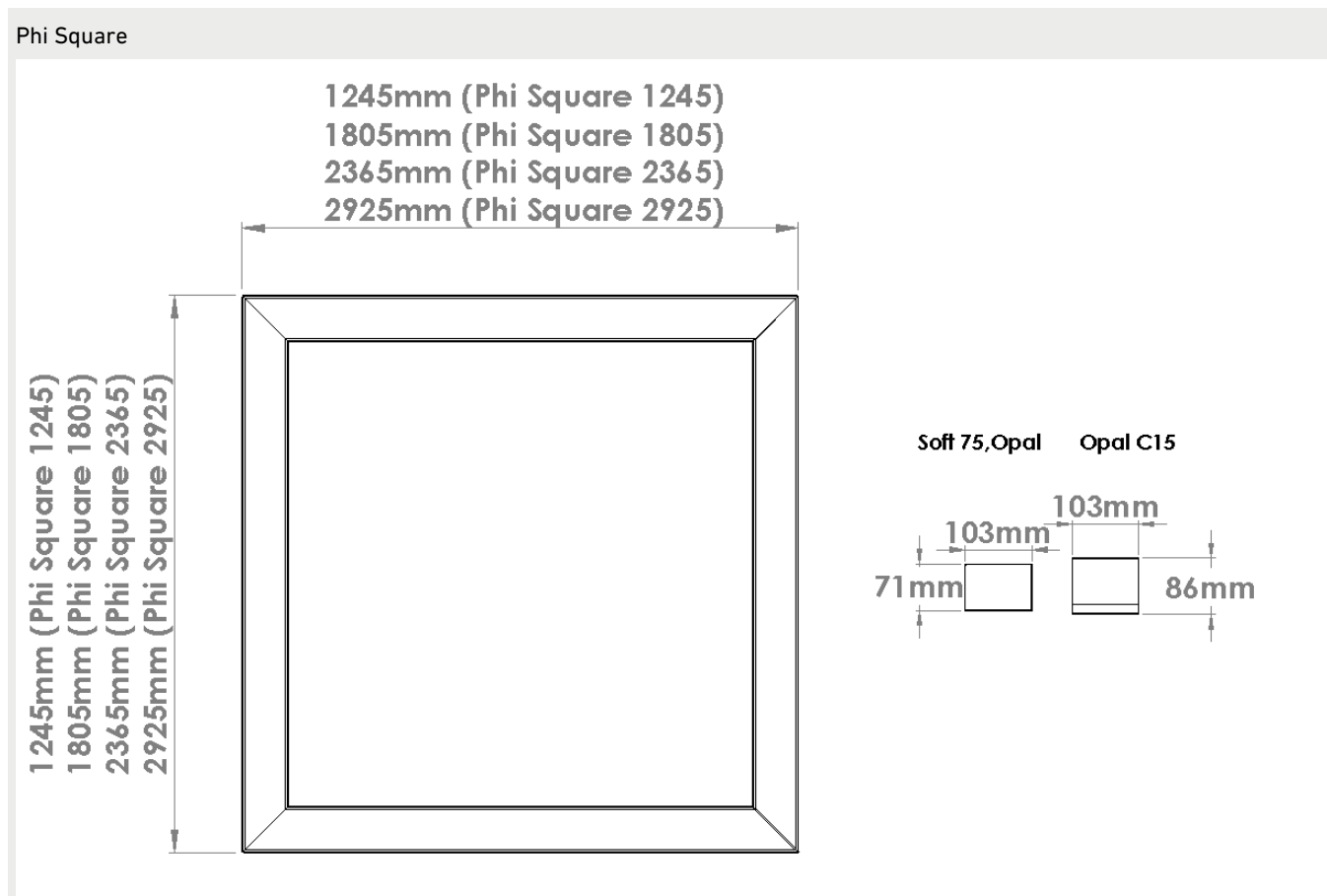


Notes:

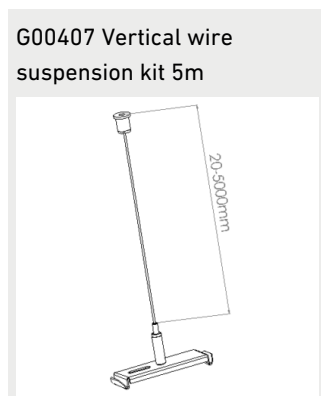
4) Not available for GLPS0112029, GLPS0128829

5) Lowered optic (height of the optic is 15mm)

Dimensions



Brackets



Circuit breakers

	B10	B16	B20	C10	C16	C20
Phi Square 1245 60W,88W, Phi Square 1805 88W,132W, Phi Square 2365 116W	4	7	8	7	11	14
Phi Square 1245 124W, Phi Square 2925 140W	3	5	6	5	9	11
Phi Square 1805 180W	3	5	6	5	8	11
Phi Square 2365 172W,232W	5	9	11	9	15	18
Phi Square 2925 288W	5	9	11	7	12	15

i

CUSTOMER SERVICE:

tel: +358 20 125 5800

info@greenled.fi