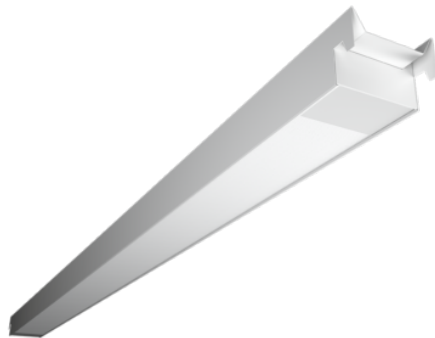


PHI MODUL



Phi Modul is a microprism luminaire with an evenly illuminating light surface. It has been particularly designed for Tego ceiling systems. This luminaire offers a cost-effective way to integrate lighting into a Tego system.

The luminaire produces an evenly illuminating light surface, and its wide aperture enables soft lighting with a low glare rating.

Benefits

This luminaire has been especially designed for the Nordic market and easy and quick integration into a Tego ceiling system. The luminaire is available in six lengths that correspond to the most common profile and grid dimensions used in the ceiling systems. Phi Modul can be equipped with Schuko, Wago Winsta, EnstoNet or Wieland cables at delivery.

Phi Modul produces an even and consistent light surface with low glare ratings.

The default luminaire color is white (RAL 9003). Black (RAL 9005) and other colors are available based on the RAL chart.

The control options are on/off, DALI or wireless Casambi control.

Suitability

Phi Modul can be installed in Tego ceiling systems in retail units and shops.

Product families and variants

MODEL	TYPE CODE	POWER	LUMINOUS FLUX	LUMINAIRE EFFICACY	LIFETIME	OPERATING TEMPERATURE
Phi Modul MP 1340	GLPM0101513	15 W	2260lm	151 lm/W	L80B50>100 000h, L90B50>70 000h C10 100 000h	0 - +45°C
Phi Modul MP 1340	GLPM0102213	22 W	3380 lm	151 lm/W	L80B50>100 000h, L90B50>70 000h C10 100 000h	0 - +45°C
Phi Modul MP 1340	GLPM0103113	31 W	4460 lm	143 lm/W	L80B50>100 000h, L90B50>70 000h C10 100 000h	0 - +45°C
Phi Modul MP 1340	GLPM0103913	39 W	5590 lm	142 lm/W	L80B50>100 000h, L90B50>70 000h C10 100 000h	0 - +45°C
Phi Modul MP 1340	GLPM0104813	48 W	6710 lm	140 lm/W	L80B50>100 000h, L90B50>50 000h C10 100 000h	0 - +40°C
Phi Modul MP 1400	GLPM0101514	15 W	2260 lm	151 lm/W	L80B50>100 000h, L90B50>70 000h C10 100 000h	0 - +45°C
Phi Modul MP 1400	GLPM0102214	22 W	3380 lm	151 lm/W	L80B50>100 000h, L90B50>70 000h C10 100 000h	0 - +45°C
Phi Modul MP 1400	GLPM0103114	31 W	4460 lm	143 lm/W	L80B50>100 000h, L90B50>70 000h C10 100 000h	0 - +45°C
Phi Modul MP 1400	GLPM0103914	39 W	5590 lm	142 lm/W	L80B50>100 000h, L90B50>70 000h C10 100 000h	0 - +45°C
Phi Modul MP 1400	GLPM0104814	48 W	6710 lm	140 lm/W	L80B50>100 000h, L90B50>50 000h C10 100 000h	0 - +40°C
Phi Modul MP 1640	GLPM0101516	15 W	2260 lm	151 lm/w	L80B50>100 000h, L90B50>70 000h C10 100 000h	0 - +45°C
Phi Modul MP 1640	GLPM0102216	22 W	3380 lm	151 lm/W	L80B50>100 000h, L90B50>70 000h C10 100 000h	0 - +45°C
Phi Modul MP 1640	GLPM0103116	31 W	4460 lm	143 lm/W	L80B50>100 000h, L90B50>70 000h C10 100 000h	0 - +45°C
Phi Modul MP 1640	GLPM0103916	39 W	5590 lm	142 lm/W	L80B50>100 000h, L90B50>70 000h C10 100 000h	0 - +45°C
Phi Modul MP 1640	GLPM0104816	48 W	6710 lm	140 lm/W	L80B50>100 000h, L90B50>50 000h C10 100 000h	0 - +40°C
Phi Modul MP 1700	GLPM0101517	15 W	2260 lm	151 lm/W	L80B50>100 000h, L90B50>70 000h C10 100 000h	0 - +45°C
Phi Modul MP 1700	GLPM0102217	22 W	3380 lm	151 lm/W	L80B50>100 000h, L90B50>70 000h C10 100 000h	0 - +45°C

MODEL	TYPE CODE	POWER	LUMINOUS FLUX	LUMINAIRE EFFICACY	LIFETIME	OPERATING TEMPERATURE
Phi Modul MP 1700	GLPM0103117	31 W	4460 lm	143 lm/W	L80B50>100 000h, L90B50>70 000h C10 100 000h	0 - +45°C
Phi Modul MP 1700	GLPM0103917	39 W	5590 lm	142 lm/W	L80B50>100 000h, L90B50>70 000h C10 100 000h	0 - +45°C
Phi Modul MP 1700	GLPM0104817	48 W	6710 lm	140 lm/W	L80B50>100 000h, L90B50>50 000h C10 100 000h	0 - +40°C
Phi Modul MP 1840	GLPM0102218	22 W	3390 lm	156 lm/W	L80B50>100 000h, L90B50>700 00h C10 100 000h	0 - +45°C
Phi Modul MP 1840	GLPM0103318	33 W	5080 lm	155 lm/W	L80B50>100 000h, L90B50>70 000h C10 100 000h	0 - +45°C
Phi Modul MP 1840	GLPM0104518	45 W	6690 lm	148 lm/W	L80B50>100 000h, L90B50>70 000h C10 100 000h	0 - +40°C
Phi Modul MP 1840	GLPM0105718	57 W	8380 lm	147 lm/W	L80B50>100 000h, L90B50>70 000h C10 100 000h	0 - +40°C
Phi Modul MP 1840	GLPM0107118	71 W	10060 lm	142 lm/W	L80B50>100 000h, L90B50>50 000h C10 100 000h	0 - +35°C
Phi Modul MP 1900	GLPM0102219	22 W	3390 lm	156 lm/W	L80B50>100 000h, L90B50>70 000h C10 100 000h	0 - +45°C
Phi Modul MP 1900	GLPM0103319	33 W	5080 lm	155 lm/W	L80B50>100 000h, L90B50>70 000h C10 100 000h	0 - +45°C
Phi Modul MP 1900	GLPM0104519	45 W	6690 lm	148 lm/W	L80B50>100 000h, L90B50>70 000h C10 100 000h	0 - +40°C
Phi Modul MP 1900	GLPM0105719	57 W	8380 lm	147 lm/W	L80B50>100 000h, L90B50>70 000h C10 100 000h	0 - +40°C
Phi Modul MP 1900	GLPM0107119	71 W	10060 lm	142 lm/W	L80B50>100 000h, L90B50>50 000h C10 100 000h	0 - +35°C

Notes:

All values in ambient temperature of +25°C, CCT 4000K, CRI 80, light distribution Phi Vision MP 80°, luminous flux tolerance +-5%, output power tolerance +-5%. Use environment must be non condensing.

Dimensions

MODEL	TYPE CODE	LENGTH (L)	HEIGHT (H)	WIDTH (W)	WEIGHT
Phi Modul MP 1340	GLPM0101513	1339 mm	71 mm	103 mm	4,2 kg

MODEL	TYPE CODE	LENGTH (L)	HEIGHT (H)	WIDTH (W)	WEIGHT
Phi Modul MP 1340	GLPM0102213	1339 mm	71 mm	103 mm	4,2 kg
Phi Modul MP 1340	GLPM0103113	1339 mm	71 mm	103 mm	4,2 kg
Phi Modul MP 1340	GLPM0103913	1339 mm	71 mm	103 mm	4,2 kg
Phi Modul MP 1340	GLPM0104813	1339 mm	71 mm	103 mm	4,2 kg
Phi Modul MP 1400	GLPM0101514	1399 mm	71 mm	103 mm	4,3 kg
Phi Modul MP 1400	GLPM0102214	1399 mm	71 mm	103 mm	4,3 kg
Phi Modul MP 1400	GLPM0103114	1399 mm	71 mm	103 mm	4,3 kg
Phi Modul MP 1400	GLPM0103914	1399 mm	71 mm	103 mm	4,3 kg
Phi Modul MP 1400	GLPM0104814	1399 mm	71 mm	103 mm	4,3 kg
Phi Modul MP 1640	GLPM0101516	1639 mm	71 mm	103 mm	4,7 kg
Phi Modul MP 1640	GLPM0102216	1639 mm	71 mm	103 mm	4,7 kg
Phi Modul MP 1640	GLPM0103116	1639 mm	71 mm	103 mm	4,7 kg
Phi Modul MP 1640	GLPM0103916	1639 mm	71 mm	103 mm	4,7 kg
Phi Modul MP 1640	GLPM0104816	1639 mm	71 mm	103 mm	4,7 kg
Phi Modul MP 1700	GLPM0101517	1699 mm	71 mm	103 mm	4,8 kg
Phi Modul MP 1700	GLPM0102217	1699 mm	71 mm	103 mm	4,8 kg
Phi Modul MP 1700	GLPM0103117	1699 mm	71 mm	103 mm	4,8 kg
Phi Modul MP 1700	GLPM0103917	1699 mm	71 mm	103 mm	4,8 kg
Phi Modul MP 1700	GLPM0104817	1699 mm	71 mm	103 mm	4,8 kg
Phi Modul MP 1840	GLPM0102218	1839 mm	71 mm	103 mm	5,5 kg
Phi Modul MP 1840	GLPM0103318	1839 mm	71 mm	103 mm	5,5 kg
Phi Modul MP 1840	GLPM0104518	1839 mm	71 mm	103 mm	5,5 kg
Phi Modul MP 1840	GLPM0105718	1839 mm	71 mm	103 mm	5,5 kg
Phi Modul MP 1840	GLPM0107118	1839 mm	71 mm	103 mm	5,5 kg
Phi Modul MP 1900	GLPM0102219	1899 mm	71 mm	103 mm	5,6 kg
Phi Modul MP 1900	GLPM0103319	1899 mm	71 mm	103 mm	5,6 kg
Phi Modul MP 1900	GLPM0104519	1899 mm	71 mm	103 mm	5,6 kg
Phi Modul MP 1900	GLPM0105719	1899 mm	71 mm	103 mm	5,6 kg
Phi Modul MP 1900	GLPM0107119	1899 mm	71 mm	103 mm	5,6 kg

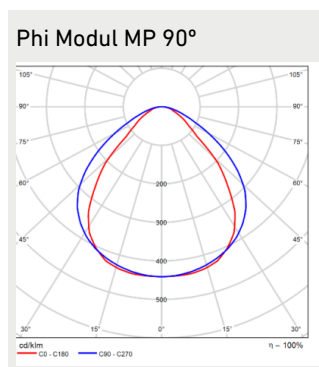
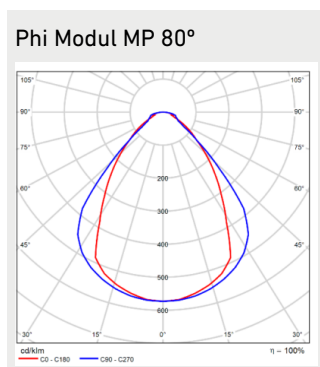
General Description

COLOUR TEMPERATURE:	3000 K, 4000 K, 5000 K ⁽¹⁾
COLOUR RENDERING INDEX:	$R_A \geq 80, 90$
OPTIC:	Microprism
LIGHT SOURCE SHIELD:	PMMA
IP CLASS:	IP20
SUPPLY VOLTAGE:	220-240 Vac
FREQUENCY:	50-60 Hz
PF:	>0.9
THD:	20%
CONNECTION:	Chainable max 5*2.5mm2 OR max 3*2.5mm2 and DALI +/-.
DIMMABILITY:	Casambi, DALI, On/off
COLOUR:	White RAL9003, optional colors black (RAL9005) and other color options from the RAL chart
MATERIAL OF THE LUMINAIRE BODY:	Steel
GUARANTEE:	5 years
ACCESSORIES (OTHERS):	Presence and daylight sensor integrated in the luminaire with Casambi controller or integrated sensor to separate DALI system (DALI 1 or DALI 2), DALI 2 power supply.

Notes:

1) SDCM ≤ 3

Light distribution

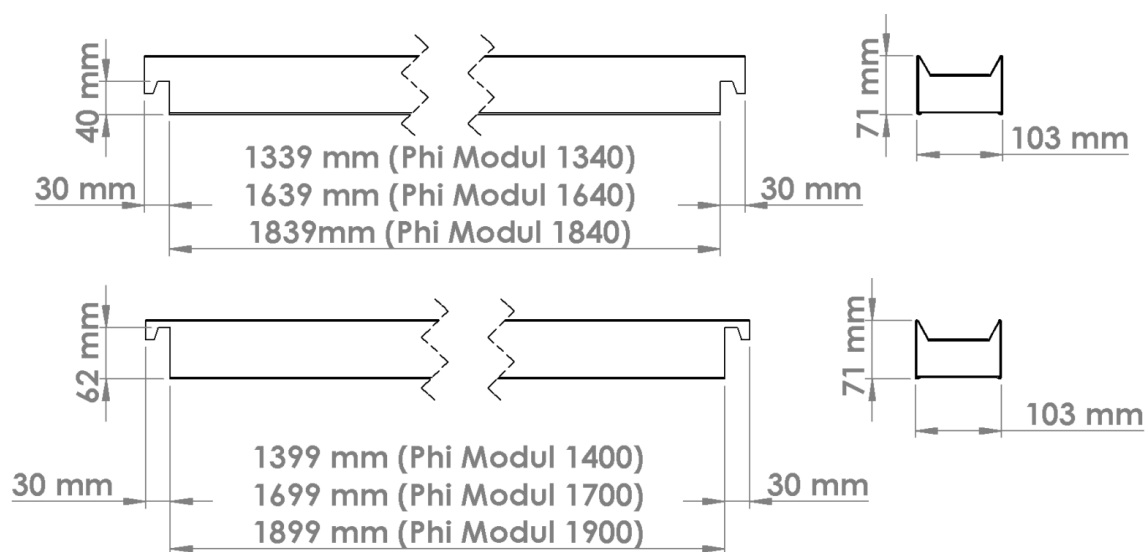


Notes:

2) Note MP 90° not available for Phi Modul 1340-1400 31W, 39W, 48W, Phi Modul 1640-1700 31W, 39W, 48W, Phi Modul 1840-1900 45W, 57W, 71W versions.

Dimensions

Dimensions



Circuit breakers

	B10	B16	B20	C10	C16	C20
Phi Modul 1340 & 1400 15W, 22W OnOff	19	30	37	31	51	62
Phi Modul 1340 & 1400 15W, 22W DALI	18	30	37	31	51	62
Phi Modul 1340 & 1400 31W, 39W, 48W OnOff	10	16	21	16	26	35
Phi Modul 1340 & 1400 31W, 39W, 48W DALI	13	22	27	21	36	45
Phi Modul 1640 & 1700 15W, 22W OnOff	19	30	37	31	51	62
Phi Modul 1640 & 1700 15W, 22W DALI	18	30	37	31	51	62
Phi Modul 1640 & 1700 31W, 39W, 48W OnOff	10	16	21	16	26	35
Phi Modul 1640 & 1700 31W, 39W, 48W DALI	13	22	27	21	36	45
Phi Modul 1840 & 1900 22W, 33W OnOff	19	30	37	31	51	62
Phi Modul 1840 & 1900 22W, 33W DALI	18	30	37	31	51	62
Phi Modul 1840 & 1900 45W, 57W, 71W OnOff	10	16	21	16	26	35
Phi Modul 1840 & 1900 45W, 57W, 71W DALI	13	21	27	21	35	45

i

CUSTOMER SERVICE:

tel: +358 20 125 5800

info@greenled.fi