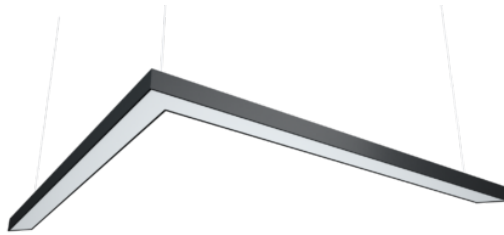


PHI ARROW



Phi Arrow is an elegant opal or microprism luminaire with an evenly illuminating light surface. It is ideal for shops and offices. The textured surface and impeccable finishing give the luminaire a high-quality, premium look.

Phi Arrow has a wide aperture that enables soft and glare-free lighting. The luminaire is available in four different sizes.

Benefits

Phi Arrow offers an extremely even and consistent light surface with low glare ratings.

Phi Arrow is installed with wire brackets. Phi Arrow is delivered as modules and with ready-to-use connecting cables, which makes it easy and quick to assemble. The luminaire has no visible screws, and the wires and cables can be hidden in the indentation on the frame. The innovative solutions used in the luminaire include super magnets at the corners, and corner brackets that support the structure and prevent light leak.

Available control options are On/Off, DALI and wireless Casambi control.

The standard luminaire colour is either white (RAL 9003) with textured surface or black (RAL 9005) with textured surface. Optional colours are available according to the RAL

Suitability

Phi Arrow Opal and Opal C15 are an excellent solutions for shops and lobbies, where opal optics create a sense of space. Phi Arrow C15 1245 30W, 1805 44W, 2365 58W and 2925 60W luminaires outperform the glare requirements of the WELL standard (L45/90<6000 cd/m²). The Phi Arrow Opal 1245 30W, 1805 44W and 2365 58W luminaires are also suitable for WELL (L45/90<6000 cd/m²) environments at the maximum lumen output of 90%.

Phi Arrow soft 75° optics are suitable for all office spaces, including open offices. The Phi Arrow soft 75° 1245 30W, 1805 44W and 2365 58W luminaires outperform the glare requirements of the WELL standard (L45/90<6000 cd/m² or UGR<16) and the glare requirements for DSE workstation lighting (EN 12464-1 (2021): DSE L65 > 3000 cd/m²).

Product families and variants

MODEL	TYPE CODE	POWER	LUMINOUS FLUX	LUMINAIRE EFFICACY	LIFETIME	OPERATING TEMPERATURE
Phi Arrow 1245	GLPA0103012	30 W	4620 lm	154 lm/W	L80B50>100 000h, L90B50>70 000h C10 100 000h	0 - +45°C
Phi Arrow 1245	GLPA0104412	44 W	6920 lm	157 lm/W	L80B50>100 000h, L90B50>70 000h C10 100 000h	0 - +45°C
Phi Arrow 1245	GLPA0106212	62 W	9120 lm	147 lm/W	L80B50>100 000h, L90B50>70 000h C10 100 000h	0 - +45°C
Phi Arrow 1805	GLPA0104418	44 W	6940 lm	158 lm/W	L80B50>100 000h, L90B50>70 000h C10 100 000h	0 - +45°C
Phi Arrow 1805	GLPA0106618	66 W	10380 lm	157 lm/W	L80B50>100 000h, L90B50>70 000h C10 100 000h	0 - +45°C
Phi Arrow 1805	GLPA0109018	90 W	13680 lm	152 lm/W	L80B50>100 000h, L90B50>70 000h C10 100 000h	0 - +40°C
Phi Arrow 2365	GLPA0105823	58 W	9260 lm	160 lm/W	L80B50>100 000h, L90B50>70 000h C10 100 000h	0 - +45°C
Phi Arrow 2365	GLPA0108623	86 W	13860 lm	161 lm/W	L80B50>100 000h, L90B50>70 000h C10 100 000h	0 - +40°C
Phi Arrow 2365	GLPA0111623	116 W	18260 lm	157 lm/W	L80B50>100 000h, L90B50>70 000h C10 100 000h	0 - +40°C
Phi Arrow 2925	GLPA0106029	60 W	9300 lm ⁽¹⁾	155 lm/W ⁽¹⁾	L80B50>100 000h, L90B50>84 000h C10 100 000h	0- +40°C
Phi Arrow 2925	GLPA0114429	144 W	21600 lm ⁽¹⁾	150 lm/W ⁽¹⁾	L80B50>100 000h, L90B50>71 000h C10 100 000h	0- +40°C

Notes:

All values in ambient temperature of +25°C, CCT 4000K, CRI 80, light distribution Phi Square-Arrow Opal, luminous flux tolerance +-5%, output power tolerance +-5%. Use environment must be non condensing.

1)Phi Arrow 2925 versions values are with light distribution Phi Square-Arrow Opal C15

Dimensions

MODEL	TYPE CODE	LENGTH (L)	HEIGHT (H)	WIDTH (W)	WEIGHT
Phi Arrow 1245	GLPA0103012	1245 mm	71 mm ⁽²⁾	1245 mm	8,8 kg

MODEL	TYPE CODE	LENGTH (L)	HEIGHT (H)	WIDTH (W)	WEIGHT
Phi Arrow 1245	GLPA0104412	1245 mm	71 mm ⁽²⁾	1245 mm	8,8 kg
Phi Arrow 1245	GLPA0106212	1245 mm	71 mm ⁽²⁾	1245 mm	8,8 kg
Phi Arrow 1805	GLPA0104418	1805 mm	71 mm ⁽²⁾	1805 mm	12,1 kg
Phi Arrow 1805	GLPA0106618	1805 mm	71 mm ⁽²⁾	1805 mm	12,1 kg
Phi Arrow 1805	GLPA0109018	1805 mm	71 mm ⁽²⁾	1805 mm	12,1 kg
Phi Arrow 2365	GLPA0105823	2365 mm	71 mm ⁽²⁾	2365 mm	15,2 kg
Phi Arrow 2365	GLPA0108623	2365 mm	71 mm ⁽²⁾	2365 mm	15,2 kg
Phi Arrow 2365	GLPA0111623	2365 mm	71 mm ⁽²⁾	2365 mm	15,2 kg
Phi Arrow 2925	GLPA0106029	2925 mm	71 mm ⁽²⁾	2925 mm	18,1 kg
Phi Arrow 2925	GLPA0114429	2925 mm	71 mm ⁽²⁾	2925 mm	18,1 kg

General Description

COLOUR TEMPERATURE:	3000 K, 4000 K, 5000 K ⁽³⁾
COLOUR RENDERING INDEX:	$R_A \geq 80, 90$
OPTIC:	Opal, Microprism+Diffuser (soft 75°), Opal C15
LIGHT SOURCE SHIELD:	PMMA
IP CLASS:	IP20
SUPPLY VOLTAGE:	220-240 Vac
FREQUENCY:	50-60 Hz
PF:	>0,9
THD:	20%
CONNECTION:	max 5*2,5mm ² OR max 3*2,5mm ² and DALI +/-
DIMMABILITY:	Casambi, DALI, On/off
COLOUR:	White (RAL9003) with textured surface or black (RAL9005) with textured surface. Optional: other color options from RAL chart.
MATERIAL OF THE LUMINAIRE BODY:	Steel
GUARANTEE:	5 years
ACCESSORIES (INSTALLATION):	G00407 Vertical wire suspension kit 5m, G00408 Vertical suspension wire kit 3m

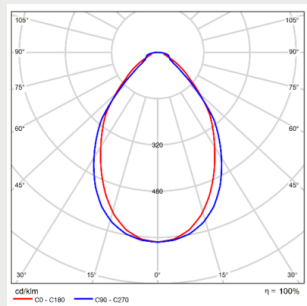
Notes:

2) Height with light distribution Phi Square-Arrow Opal C15 is 86mm

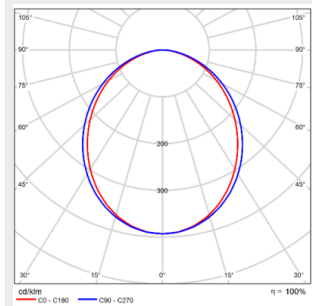
3) SDCM ≤ 3

Light distribution

Phi Square-Arrow soft 75° ⁽⁴⁾



Phi Square-Arrow Opal ⁽⁴⁾

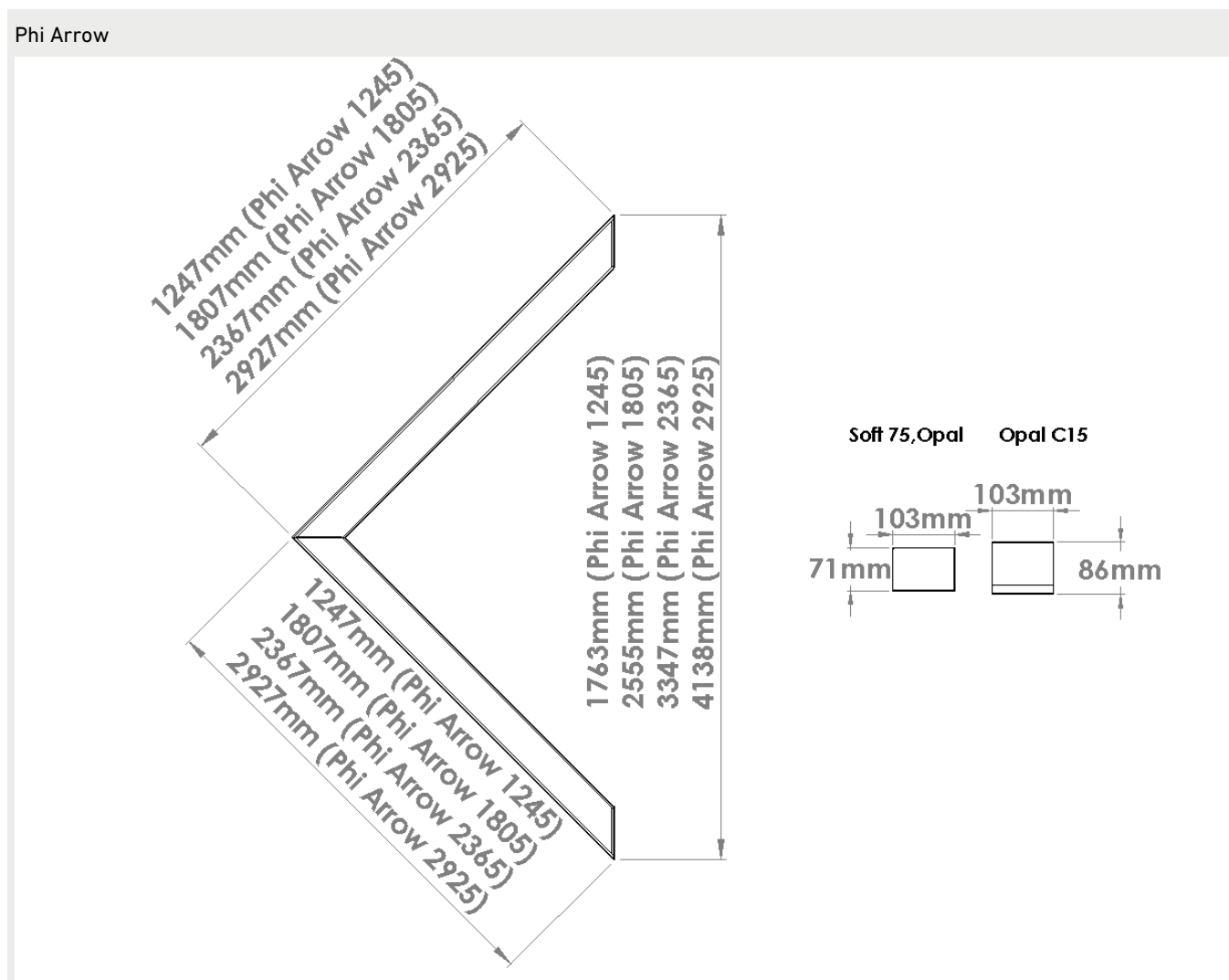


Notes:

4) Not available for GLPA0106029, GLPA0114429

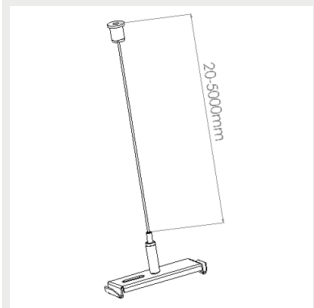
5) Lowered optic (height of the optic is 15mm)

Dimensions

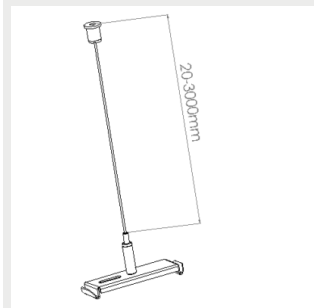


Brackets

G00407 Vertical wire suspension kit 5m



G00408 Vertical suspension wire kit 3m



Circuit breakers

	B10	B16	B20	C10	C16	C20
Phi Arrow 1245 30W,44W Phi Arrow 1805 44W,66W Phi Arrow 2365 58W	8	14	16	14	22	28
Phi Arrow 1245 62W	6	10	12	10	18	22
Phi Arrow 1805 90W	6	10	12	10	16	22
Phi Arrow 2365 86W,116W	10	18	22	18	30	36
Phi Arrow 2925 60W	6	10	12	10	18	22
Phi Arrow 2925 144W	10	18	22	15	25	31

i

CUSTOMER SERVICE:

tel: +358 20 125 5800

info@greenled.fi