

OMEGA LINEAR BASIC



Cost-efficient luminaire with an evenly illuminating light surface for in-store needs. Suitable for suspension, rail and continuous solutions.

Benefits

Omega Linear Basic optics create a visually even light surface.

In-store needs have primarily been taken into account with the optics. The wide 90-degree optics are suitable for general lighting, the asymmetrical optics for vertical surfaces of edge areas and symmetrical optics for aisles between shelf spaces.

The steel frame is available as zinc coated (default) or white (RAL 9010, option). The luminaire is always equipped with a DALI driver and is available as an on/off solution with CLO programming or wireless Casambi control.

This luminaire can be installed with lighting suspension tracks, wire brackets, rail brackets, ceiling surface brackets or as continuous installation, and it can be equipped with Wago Winsta, EnstoNet or Wieland cables at delivery. The luminaire does not require opening during installation, and the wires and cables can be hidden in the indentation on the frame.

Suitability

Ideal for in-store lighting where a visually evenly illuminating light surface is needed.

Product families and variants

MODEL	TYPE CODE	POWER	LUMINOUS FLUX	LUMINAIRE EFFICACY	LIFETIME	OPERATING TEMPERATURE
OMEGA LINEAR BASIC 1156mm	GLOLB01035	35 W	5420 lm	153 lm/W	L80B50>100 000h, L90B50>72 000h, C10 100 000h	0 - +45°C
OMEGA LINEAR BASIC 1156mm	GLOLB01047	47 W	6770 lm	144 lm/W	L80B50>100 000h, L90B50>50 000h, C10 100 000h	0 - +45°C
OMEGA LINEAR BASIC 1156mm	GLOLB01052	52 W	7390 lm	142 lm/W	L80B50>72 000h, L90B50>65 000h, C10 100 000h	0 - +45°C
OMEGA LINEAR BASIC 1156mm	GLOLB01062	62 W	8610 lm	140 lm/W	L80B50>72 000h, L90B50>59 000h, C10 100 000h	0 - +35°C
OMEGA LINEAR BASIC 2283mm	GLOLB01068	68 W	10650 lm	156 lm/W	L80B50>100 000h, L90B50>72 000h, C10 100 000h	0 - +45°C
OMEGA LINEAR BASIC 2283mm	GLOLB01087	87 W	13310 lm	153 lm/W	L80B50>100 000h, L90B50>50 000h, C10 100 000h	0 - +35°C
OMEGA LINEAR BASIC 2283mm	GLOLB01103	103 W	15150 lm	148 lm/W	L80B50>72 000h, L90B50>57 000h, C10 100 000h	0 - +30°C
OMEGA LINEAR BASIC 2283mm	GLOLB01107	107 W	15650 lm	147 lm/W	L80B50>72 000h, L90B50>53 000h, C10 100 000h	0 - +45°C
OMEGA LINEAR BASIC 2283mm	GLOLB01117	117 W	16750 lm	143 lm/W	L80B50>72 000h, L90B50>48 000h, C10 100 000h	0 - +40°C
OMEGA LINEAR BASIC 2843mm	GLOLB01083	83 W	13080 lm	157 lm/W	L80B50>100 000h, L90B50>68 000h, C10 100 000h	0 - +35°C
OMEGA LINEAR BASIC 2843mm	GLOLB01120	120 W	17970 lm	149 lm/W	L80B50>72 000h, L90B50>54 000h, C10 100 000h	0 - +45°C
OMEGA LINEAR BASIC 2843mm	GLOLB01147	147 W	20740 lm	142 lm/W	L80B50>72 000h, L90B50>45 000h, C10 100 000h	0 - +35°C

Notes:

All values in ambient temperature of +25°C, CCT 4000K, CRI80, luminous flux tolerance +-5%, output power tolerance +-5%. Use environment must be non condensing.

Dimensions

MODEL	TYPE CODE	LENGTH (L)	HEIGHT (H)	WIDTH (W)	WEIGHT
OMEGA LINEAR BASIC 1156mm	GLOLB01035	1156 mm	51 mm	65 mm	2,3 kg
OMEGA LINEAR BASIC 1156mm	GLOLB01047	1156 mm	51 mm	65 mm	2,3 kg
OMEGA LINEAR BASIC 1156mm	GLOLB01052	1156 mm	51 mm	65 mm	2,3 kg
OMEGA LINEAR BASIC 1156mm	GLOLB01062	1156 mm	51 mm	65 mm	2,3 kg
OMEGA LINEAR BASIC 2283mm	GLOLB01068	2283 mm	51 mm	65 mm	4,0 kg
OMEGA LINEAR BASIC 2283mm	GLOLB01087	2283 mm	51 mm	65 mm	4,0 kg
OMEGA LINEAR BASIC 2283mm	GLOLB01103	2283 mm	51 mm	65 mm	4,0 kg
OMEGA LINEAR BASIC 2283mm	GLOLB01107	2283 mm	51 mm	65 mm	4,0 kg
OMEGA LINEAR BASIC 2283mm	GLOLB01117	2283 mm	51 mm	65 mm	4,0 kg
OMEGA LINEAR BASIC 2843mm	GLOLB01083	2843 mm	51 mm	65 mm	5,0 kg
OMEGA LINEAR BASIC 2843mm	GLOLB01120	2843 mm	51 mm	65 mm	5,0 kg
OMEGA LINEAR BASIC 2843mm	GLOLB01147	2843 mm	51 mm	65 mm	5,0 kg

General Description

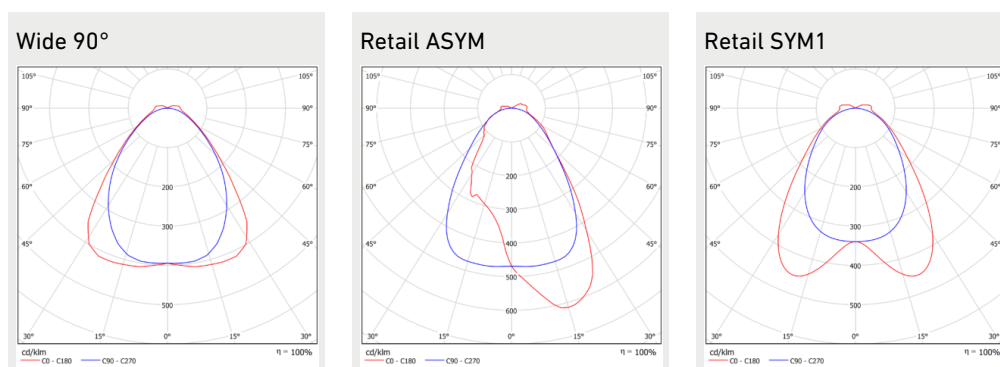
COLOUR TEMPERATURE:	3000, 4000, 5000 K ⁽¹⁾
COLOUR RENDERING INDEX:	$R_A \geq 80$ (option 90)
OPTIC:	PMMA
IP CLASS:	IP20
SUPPLY VOLTAGE:	220-240 Vac
FREQUENCY:	50-60 Hz
PF:	>0.95
THD:	20%
CONNECTION:	Chainable max 5*2,5mm ² OR max 3*2,5mm ² and DALI +/- . Optional through wiring.
DIMMABILITY:	Casambi, DALI, On/off

COLOUR:	Galvanized steel (white steel RAL 9010 as an option)
MATERIAL OF THE LUMINAIRE BODY:	Steel
GUARANTEE:	5 years
ACCESSORIES (INSTALLATION):	9908688 Omega Linear ceiling bracket, 9905206 Omega Linear ladder- and threaded rod bracket, 9905203 / 9905204 Omega Linear adjustable susp.rail bracket, G00357 / G00358 Omega Linear suspension wire bracket 3m / 5m, 9908337 Omega Linear horizontal wire bracket (max 8 mm), G00359 Omega Linear lighting track bracket, O Linear railbracket ⁽¹⁾ , 9908359 / 9908360 Omega Linear railbracket 45 degree, 9908437 Omega Linear suspension rail bracket 70mm, 9908468 Omega Linear suspension rail bracket 82mm, 9908336 Omega Linear suspension rail bracket 110mm

Notes:

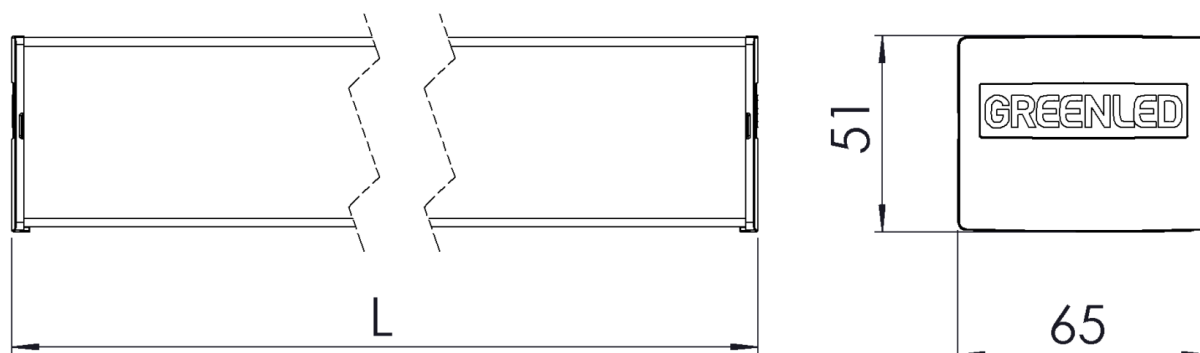
1) SDCM ≤3

Light distribution



Dimensions

Dimensions

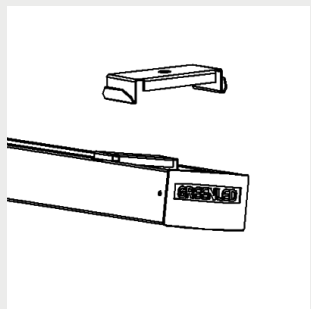


Notes:

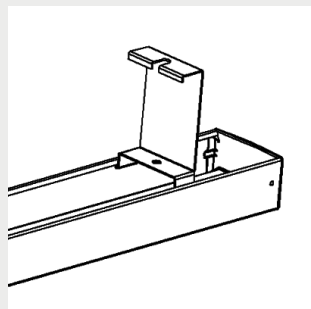
L = 1156 mm / 2283 mm / 2843 mm

Brackets

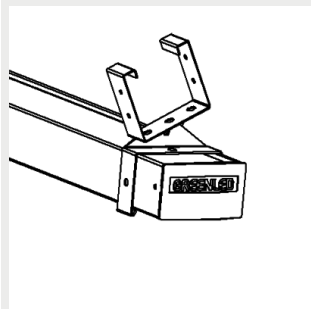
9908688 Omega Linear ceiling bracket



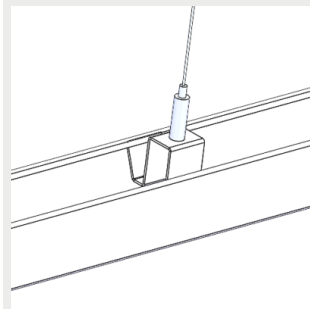
9905206 Omega Linear ladder- and threaded rod bracket



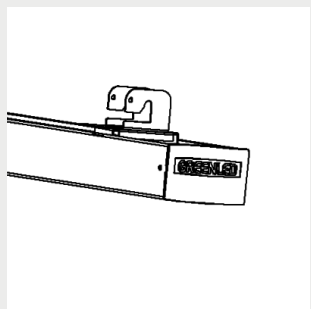
9905203 / 9905204 Omega Linear adjustable susp.rail bracket



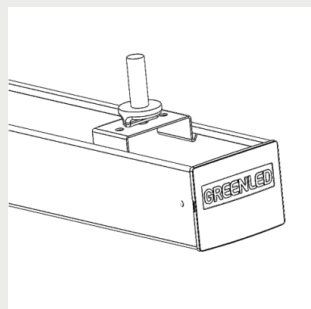
G00357 / G00358 Omega Linear suspension wire bracket 3m / 5m



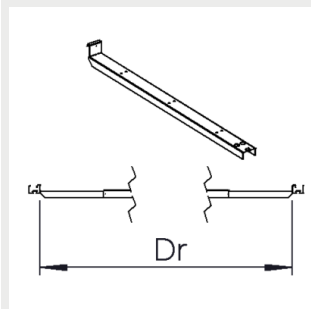
9908337 Omega Linear horizontal wire bracket (max 8 mm)



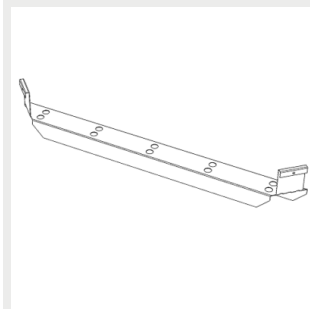
G00359 Omega Linear lighting track bracket



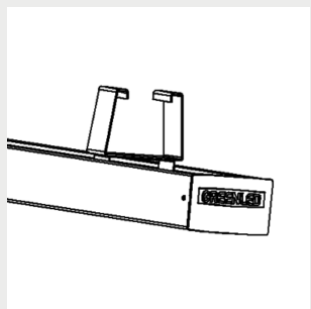
O Linear railbracket⁽¹⁾



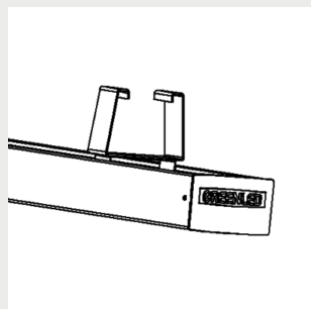
9908359 / 9908360 Omega Linear railbracket 45 degree



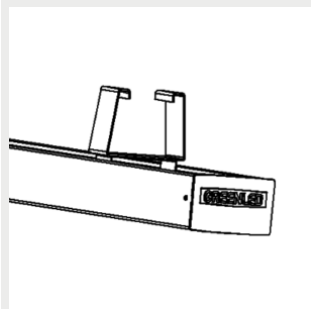
9908437 Omega Linear suspension rail bracket 70mm



9908468 Omega Linear suspension rail bracket 82mm



9908336 Omega Linear suspension rail bracket 110mm

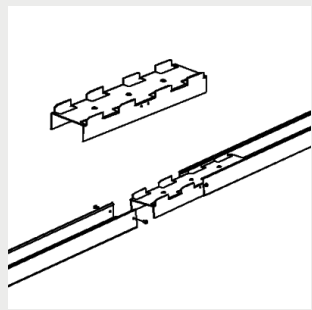


Notes:

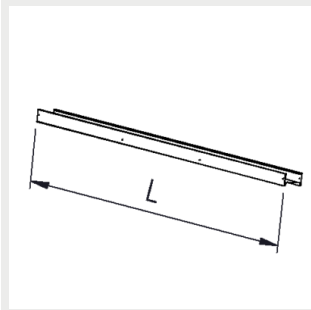
1) Dr = see the installation instructions for more information

Accessories

Omega Linear joining part
(screws included)



Omega Linear extension
profile⁽¹⁾



Circuit breakers

	B10	B16	B20	C10	C16	C20
Omega Linear Basic 35W, 68W DALI & OnOff	12	20	25	20	33	41
Omega Linear Basic 47W, 52W, 62W DALI & OnOff	9	14	18	15	23	30
Omega Linear Basic 87W, 83W DALI & OnOff	17	22	25	26	36	41
Omega Linear Basic 103W DALI & OnOff	17	22	25	22	35	41
Omega Linear Basic 107W DALI & OnOff	17	22	25	21	34	41
Omega Linear Basic 117W, 120W DALI & OnOff	17	22	25	19	30	38
Omega Linear Basic 147W DALI & OnOff	15	22	25	15	25	31
Omega Linear Basic 35W, 47W, 52W, 68W Casambi	15	24	30	24	40	49
Omega Linear Basic 62W Casambi	21	36	45	36	60	73
Omega Linear Basic 87W, 83W Casambi	18	32	40	26	42	52
Omega Linear Basic 103W, 107W Casambi	18	32	40	21	34	43
Omega Linear Basic 117W, 120W Casambi	18	30	38	19	30	38
Omega Linear Basic 147W Casambi	15	24	31	15	25	31

i

CUSTOMER SERVICE:

tel: +358 20 125 5800

info@greenled.fi