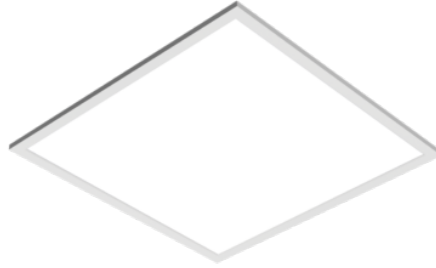


MEGALITE LEDILUX



Megalite Ledilux is a thin, versatile and energy-efficient luminaire for public spaces suitable for suspended ceilings. Megalite Ledilux luminaire has a glare-free and evenly illuminating light surface. Special optics enable high light output with low glare. The luminaire is available in opal and microprism versions.

Benefits

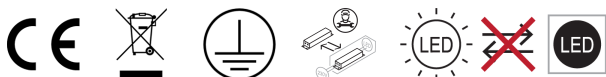
This luminaire has a cost-efficient and high-quality structure. In the microprism version, the UGR is <math><19</math>. The luminaire panel has a thin structure (panel 12 mm and overall height 50 mm). The body of the luminaire is made of white painted steel and aluminium. (RAL9003). The IP rating of the luminaire is IP43 below the suspended ceiling and IP20 above the suspended ceiling.

Suitability

A general luminaire for offices, hallways, schools, hospitals and other public spaces. Mounting directly on a T-grid ceiling or with a recessed installation frame.

The glare requirements for DSE workstation lighting (EN 12464-1: DSE L65 $\geq 3000 \text{ cd / m}^2$) are satisfied by Ledilux 28W Microprism -version and Ledilux 46W Microprism -version with 80% power.

The glare requirements for WELL certification (L45 / 90 $<6000 \text{ cd / m}^2$ or UGR <16) are satisfied by Ledilux 28W Microprism -version with 90% power.



Product families and variants

MODEL	TYPE CODE	POWER	LUMINOUS FLUX	LUMINAIRE EFFICACY	LIFETIME	OPERATING TEMPERATURE
Ledilux 28W Microprism	M527S2LED2LU840-W	28 W	4500 lm	161 lm/W	L80B50 80 000h	+10 - +40°C
Ledilux 28W Opal	M527S2LED2PS840-W	28 W	4500 lm	161 lm/W	L80B50 80 000h	+10 - +40°C
Ledilux 46W Microprism	M527S2LED4LU840-W	46 W	7000 lm	152 lm/W	L80B50 80 000h	+10 - +40°C

Notes:

All values in ambient temperature of +25°C, CCT 4000K, CRI 80, luminous flux tolerance +-5%, output power tolerance +-5%. Use environment must be non condensing.

Dimensions

MODEL	TYPE CODE	LENGTH (L)	HEIGHT (H)	WIDTH (W)	WEIGHT
Ledilux 28W Microprism	M527S2LED2LU840-W	597 mm	12 mm / 50 mm	597 mm	4,4 kg
Ledilux 28W Opal	M527S2LED2PS840-W	597 mm	12 mm / 50 mm	597 mm	4,4 kg
Ledilux 46W Microprism	M527S2LED4LU840-W	597 mm	12 mm / 50 mm	597 mm	4,4 kg

General Description

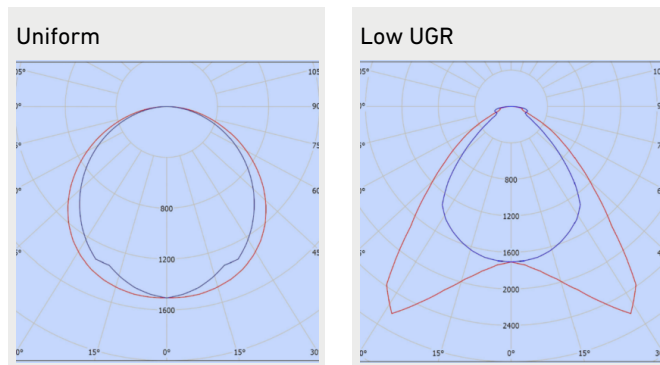
COLOUR TEMPERATURE:	4000 K ⁽³⁾
COLOUR RENDERING INDEX:	R _A ≥ 80
OPTIC:	Microprism ⁽¹⁾ , Opal
LIGHT SOURCE SHIELD:	Polystyrene
IP CLASS:	IP43/20 ⁽²⁾
SUPPLY VOLTAGE:	220-240 Vac
FREQUENCY:	50-60 Hz
PF:	> 0,9
THD:	20%
CONNECTION:	Chainable terminalbox, 3 x (on/off) ja 5 x (DALI) x 1,5–2,5 mm
DIMMABILITY:	Casambi, DALI, On/off
COLOUR:	White (RAL9003)

MATERIAL OF THE LUMINAIRE BODY:	Steel and aluminium
GUARANTEE:	5 years
ACCESSORIES (INSTALLATION):	5405044 600×600 Recessed installation frame UP-RF6060-01

Notes:

- 1) UGR < 19
- 2) IP43 underside, IP20 on top
- 3) SDCM < 3

Light distribution

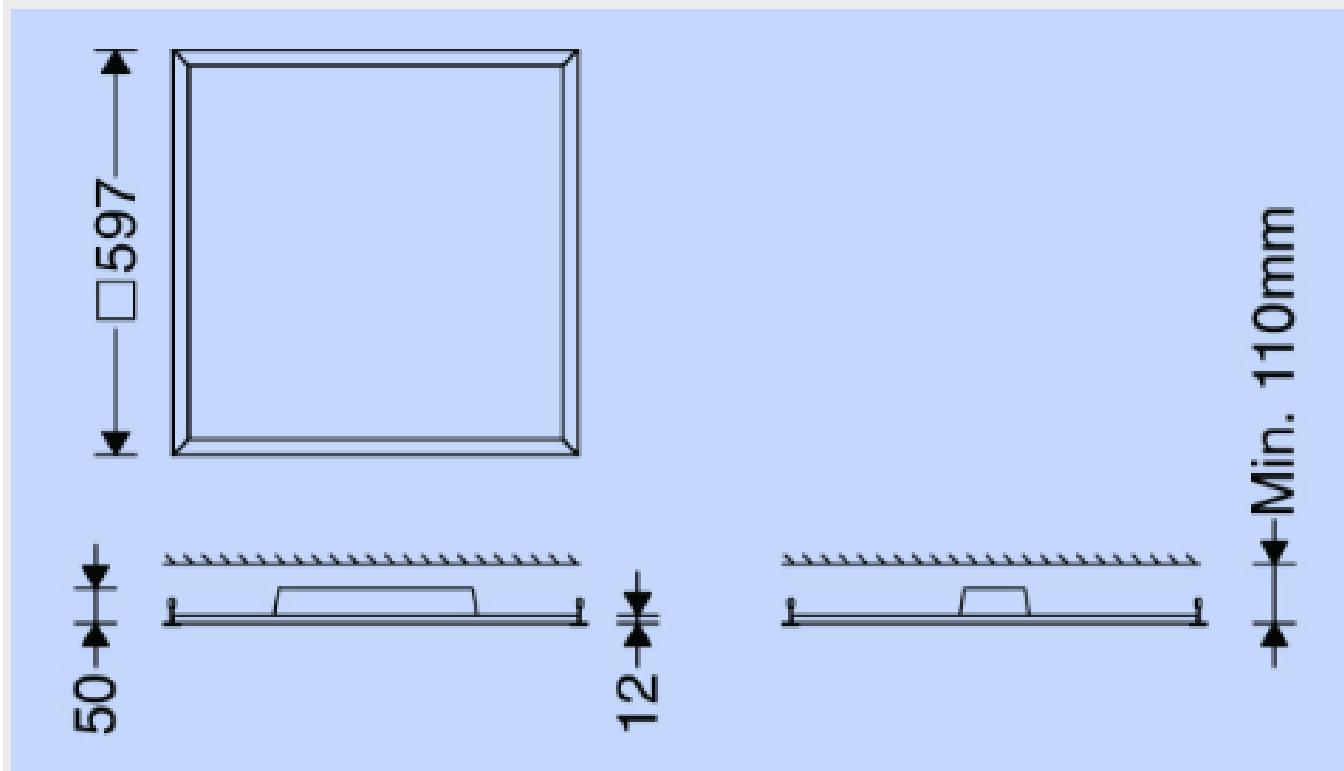


Notes:

Low UGR microprism light distribution is not symmetrical, pay attention to the installation direction.

Dimensions

mittakuva



Brackets

5405044 600×600 Recessed
installation frame UP-
RF6060-01



Circuit breakers

	C10	C13	C16	C20	B10	B13	B16
Ledilux 28W On/Off	16	21	26	35	10	13	16
Ledilux 28W Dali	21	28	36	45	13	17	22
Ledilux 46W On/off	10	13	16	21	6	8	10
Ledilux 46W Dali	21	28	35	45	13	17	21

i

CUSTOMER SERVICE:

tel; +358 20 125 5800

info@greenled.fi