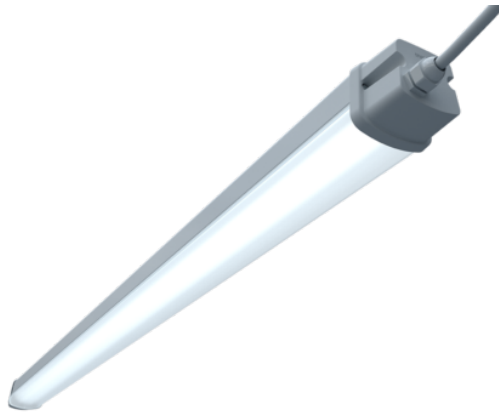


# GAMMA GEN2



Reliable, durable, multifunctional luminaire.

The luminaire is manufactured with two-colour extrusion, which minimises energy consumption during the manufacturing process and ensures a highly durable structure for a long lifetime. The luminaire is sealed and classified IP66/IP67.

The material chosen for the product is the high light transmission LG PC, which enables low light loss and, thus, low lifetime emissions. Polycarbonate (PC) is shock-resistant, self-extinguishing and UV-protected.

## Benefits

Durable and cost-effective luminaire with IP 66/67 rating. Chainable as standard and through-wiring compatibility as an option. Quick and easy to install. Components according to Zhaga standards, allowing easy maintenance for LED modules, optics and driver.

Energy-efficient manufacturing, high impact resistance and good light transmission, enabling low lifetime costs. The luminaire is available with wireless Casambi control, providing sensible control of the challenging concrete wiring in parking halls. Also available with integrated microwave motion sensor.

## Suitability

Suitable for spaces 2–5 m high. Three optics for different applications:

- Opal is a general lighting distribution that is suitable for parking halls and low warehouses.
- Wide optics are suitable for parking halls, achieving low glare in the direction of travel, lighting that takes account of vertical surfaces, as well as the evenness of lighting for parking spaces as required by the standard.
- Medium optics are suitable for slightly higher warehouses in need of a lower glare value.

Some of the luminaire models can be used in -40°C

conditions, such as freezers, cold stores or outdoor



**GREENLED**

## Product families and variants

MODEL	TYPE CODE	POWER	LUMINOUS FLUX	LUMINAIRE EFFICACY	LIFETIME	OPERATING TEMPERATURE
Gamma Gen2 1560mm	GLGG201027B	27 W	4230 lm	157 lm/W	L80B50>100 000h, L90B50>84 000h, C10 100 000h	-20 - +45°C
Gamma Gen2 1560mm	GLGG201034B	34 W	5360 lm	156 lm/W	L80B50>100 000h, L90B50>75 000h, C10 100 000h	-20 - +45°C
Gamma Gen2 1560mm	GLGG201042B	42 W	6440 lm	154 lm/W	L80B50>100 000h, L90B50>74 000h, C10 100 000h	-20 - +40°C
Gamma Gen2 1560mm	GLGG201057B	57 W	8500 lm	149 lm/W	L80B50>100 000h, L90B50>50 000h, C10 100 000h	-20 - +35°C
Gamma Gen2 1840mm	GLGG201037B	37 W	5760 lm	156 lm/W	L80B50>100 000h, L90B50>75 000h, C10 100 000h	-20 - +45°C
Gamma Gen2 1840mm	GLGG201046B	46 W	7070 lm	154 lm/W	L80B50>100 000h, L90B50>74 000h, C10 100 000h	-20 - +40°C
Gamma Gen2 1840mm	GLGG201068B	68 W	10260 lm	151 lm/W	L80B50>100 000h, L90B50>50 000h, C10 100 000h	-20 - +35°C
Gamma Gen2 1840mm	GLGG201078B	78 W	11410 lm	147 lm/W	L80B50>100 000h, L90B50>50 000h, C10 100 000h	-20 - +30°C
Gamma Gen2 1840mm	GLGG201096B	96 W	13560 lm	141 lm/W	L80B50>100 000h, L90B50>50 000h, C10 75 000h	-20 - +30°C
Gamma Gen2 stepDIM 1560mm	GLGG201S032S	32 W	4790 lm	150 lm/W	L90B50>100 000h, C10 100 000h	-20 - +45°C
Gamma Gen2 stepDIM 1560mm	GLGG201S048S	48 W	6990 lm	146 lm/W	L90B50>100 000h, C10 100 000h	-20 - +40°C
Gamma Gen2 stepDIM 1840mm	GLGG201S038S	38 W	5760 lm	153 lm/W	L90B50>100 000h, C10 100 000h	-20 - +45°C
Gamma Gen2 stepDIM 1840mm	GLGG201S047S	47 W	7070 lm	152 lm/W	L90B50>100 000h, C10 100 000h	-20 - +40°C

MODEL	TYPE CODE	POWER	LUMINOUS FLUX	LUMINAIRE EFFICACY	LIFETIME	OPERATING TEMPERATURE
Gamma Gen2 -40°C 1560mm	GLGG201S036F	36 W	5640 lm	157 lm/W	L80B50>72 000h, L90B50>50 000h, C10 100 000h	-40 - +45°C
Gamma Gen2 -40°C 1560mm	GLGG201S058F	58 W	8740 lm	150 lm/W	L80B50>72 000h, L90B50= 50 000h, C10 100 000h	-40 - +35°C

## Notes:

All values in ambient temperature of +25°C, CCT 4000K, CRI80, light distribution Opal, luminous flux tolerance +-5%, output power tolerance +-5%. Use environment must be non condensing.

## Dimensions

MODEL	TYPE CODE	LENGTH (L)	HEIGHT (H)	WIDTH (W)	WEIGHT
Gamma Gen2 1560mm	GLGG201027B	1560 mm	80 mm	89 mm	2,5 kg
Gamma Gen2 1560mm	GLGG201034B	1560 mm	80 mm	89 mm	2,5 kg
Gamma Gen2 1560mm	GLGG201042B	1560 mm	80 mm	89 mm	2,5 kg
Gamma Gen2 1560mm	GLGG201057B	1560 mm	80 mm	89 mm	2,5 kg
Gamma Gen2 1840mm	GLGG201037B	1840 mm	80 mm	89 mm	3,0 kg
Gamma Gen2 1840mm	GLGG201046B	1840 mm	80 mm	89 mm	3,0 kg
Gamma Gen2 1840mm	GLGG201068B	1840 mm	80 mm	89 mm	3,0 kg
Gamma Gen2 1840mm	GLGG201078B	1840 mm	80 mm	89 mm	3,0 kg
Gamma Gen2 1840mm	GLGG201096B	1840 mm	80 mm	89 mm	3,0 kg
Gamma Gen2 stepDIM 1560mm	GLGG201S032S	1560 mm	80 mm	89 mm	2,5 kg
Gamma Gen2 stepDIM 1560mm	GLGG201S048S	1560 mm	80 mm	89 mm	2,5 kg
Gamma Gen2 stepDIM 1840mm	GLGG201S038S	1840 mm	80 mm	89 mm	3,0 kg
Gamma Gen2 stepDIM 1840mm	GLGG201S047S	1840 mm	80 mm	89 mm	3,0 kg
Gamma Gen2 -40°C 1560mm	GLGG201S036F	1560 mm	80 mm	89 mm	2,5 kg
Gamma Gen2 -40°C 1560mm	GLGG201S058F	1560 mm	80 mm	89 mm	2,5 kg

## General Description

<b>COLOUR TEMPERATURE:</b>	3000, 4000, 5000 K <sup>(1)</sup>
<b>COLOUR RENDERING INDEX:</b>	$R_A \geq 80$ (option 90 <sup>(2)</sup> )
<b>LIGHT SOURCE SHIELD:</b>	PC
<b>IP CLASS:</b>	IP66/IP67
<b>IK CLASS:</b>	IK09
<b>SUPPLY VOLTAGE:</b>	220-240 Vac
<b>FREQUENCY:</b>	50-60 Hz
<b>PF:</b>	>0.90
<b>THD:</b>	20%
<b>CONNECTION:</b>	Internal terminal block 5*2.5 mm <sup>2</sup> OR 3*2.5 mm <sup>2</sup> and +/- DALI; (installation cable, chaining, through wiring set option)
<b>DIMMABILITY:</b>	On/Off <sup>(2)</sup> , DALI <sup>(5)</sup> , Casambi <sup>(3)</sup> , stepDIM motion sensor <sup>(4)</sup>
<b>COLOUR:</b>	Upper part of the luminaire and end caps light gray RAL7035, lower part diffuse white
<b>MATERIAL OF THE LUMINAIRE BODY:</b>	PC & PC/ABS
<b>GUARANTEE:</b>	5 years
<b>ACCESSORIES (INSTALLATION):</b>	3908115 Gamma/Eco S ceiling bracket, 3508171 Gamma/Eco S suspension rail 70 bracket, 3508172 Gamma/Eco S suspension rail 82 bracket, 3508174 Gamma/Eco S horizontal wire bracket, 9905199 Gamma/Eco S adjustable surface mounting bracket, 9905200 Gamma/Eco S adjustable suspension rail 70 bracket, 9905201 Gamma/Eco S adjustable suspension rail 120 bracket, 9905202 Gamma/Eco S ladder/threaded rod bracket, G00341 Gamma/Eco S suspension wire bracket 3m, G00342 Gamma/Eco S suspension wire bracket 5m, G00337 Gamma/Eco S lighting track bracket, Gamma IK09 Bracket

## Notes:

1) SDCM  $\leq 3$

2) Not available for -40°C models (GLGG201S036F & GLGG201S058F)

3) Not available for 27W model (GLGG201027B), -40°C models (GLGG201S036F & GLGG201S058F), stepDIM models (GLGG201S032S, GLGG201S048S, GLGG201S038S, GLGG201S047S)

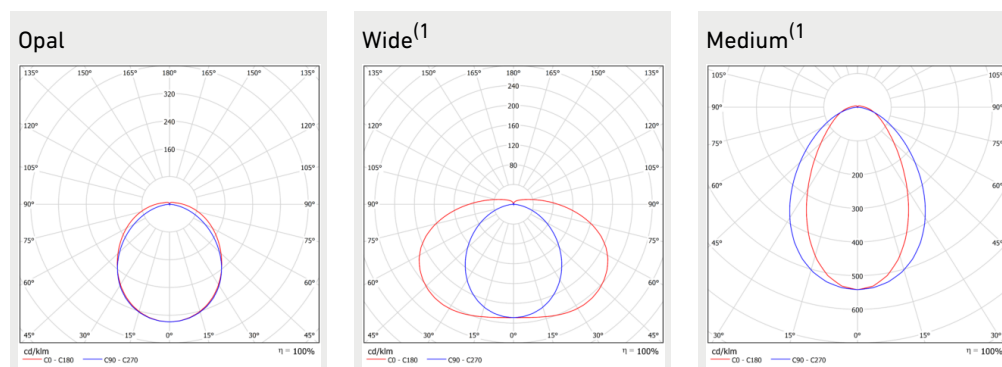
4) Only available for stepDIM models (GLGG201S032S, GLGG201S048S, GLGG201S038S, GLGG201S047S)

5) Not available for stepDIM models (GLGG201S032S, GLGG201S048S, GLGG201S038S, GLGG201S047S)



D-marked luminaire with limited surface temperature. Meets the requirements of the IEC 60598-2-24 standard.

## Light distribution

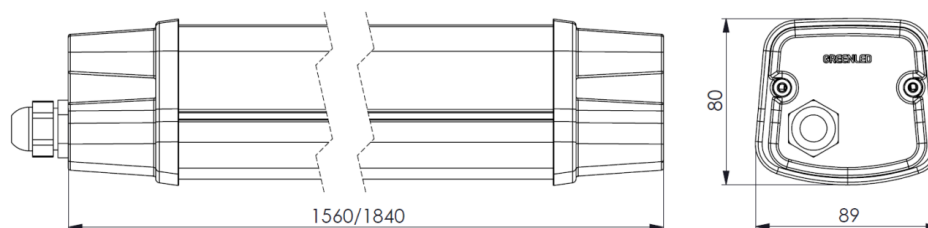


### Notes:

1) Not available for stepDIM models (GLGG201S032S, GLGG201S048S, GLGG201S038S, GLGG201S047S)

## Dimensions

Gamma Gen2 (mm)

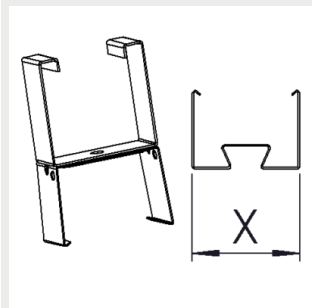


## Brackets

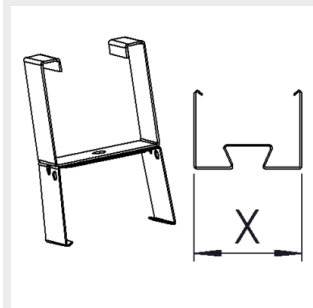
3908115 Gamma/Eco S ceiling bracket



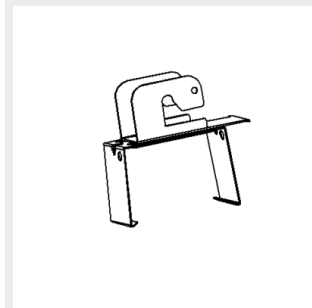
3508171 Gamma/Eco S suspension rail 70 bracket



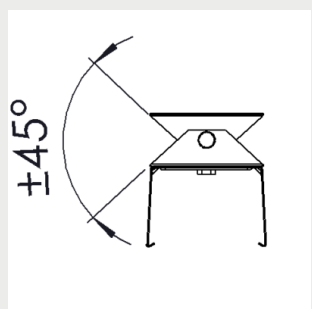
3508172 Gamma/Eco S suspension rail 82 bracket



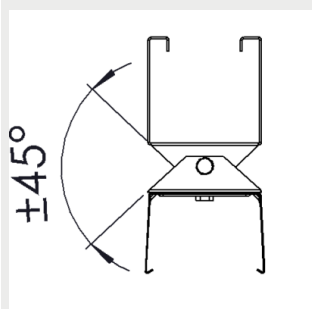
3508174 Gamma/Eco S horizontal wire bracket



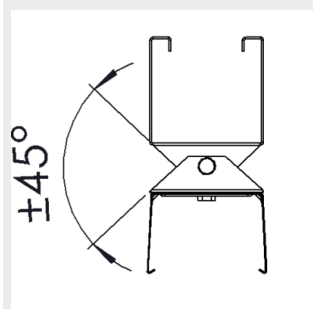
9905199 Gamma/Eco S adjustable surface mounting bracket



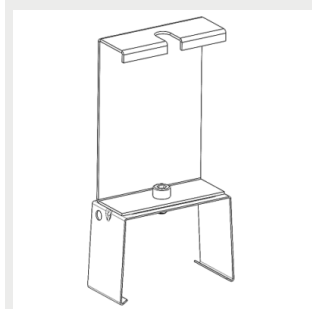
9905200 Gamma/Eco S adjustable suspension rail 70 bracket



9905201 Gamma/Eco S adjustable suspension rail 120 bracket



9905202 Gamma/Eco S ladder/threaded rod bracket



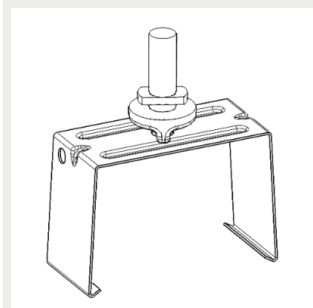
G00341 Gamma/Eco S suspension wire bracket 3m



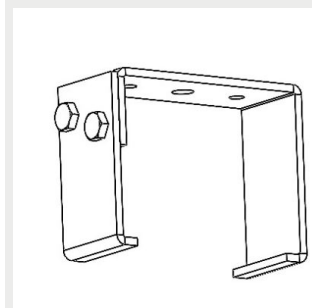
G00342 Gamma/Eco S suspension wire bracket 5m



G00337 Gamma/Eco S lighting track bracket



Gamma IK09 Bracket



## Circuit breakers

	B10	B16	B20	C10	C16	C20
Gamma Gen2 1560mm 27W, 34W, 42W, DALI,On/Off	13	21	27	21	35	45
Gamma Gen2 1560mm, 57W DALI	13	21	27	21	35	45
Gamma Gen2 1560mm, 57W On/Off	10	16	21	16	26	35
Gamma Gen2 1840mm 37W, 46W, DALI,On/Off	13	21	27	21	35	45
Gamma Gen2 1840mm 68W, 78W, 96W, DALI,On/Off	6	10	13	10	16	21
Gamma Gen2 stepDIM 1560mm 32W, 48W	27	43	54	27	43	54
Gamma Gen2 stepDIM 1840mm 38W, 47W	21	34	43	21	34	43
Gamma Gen2 -40°C 1560mm 36W, 58W	21	36	45	37	61	74
Gamma Gen2 1560mm 34W,42W,57W Casambi	13	21	26	21	35	43
Gamma Gen2 1840mm 37W,46W Casambi	13	21	26	21	35	43
Gamma Gen2 1840mm 68W Casambi	21	36	45	33	54	67
Gamma Gen2 1840mm 78W Casambi	21	36	45	29	47	59
Gamma Gen2 1840mm 96W Casambi	21	36	45	24	38	47
Gamma Gen2 1560mm 34W,42W,57W Pro	21	36	45	37	61	74
Gamma Gen2 1840mm 37W,46W Pro	21	36	45	37	61	74
Gamma Gen2 1840mm 68W Pro	23	36	45	37	61	74
Gamma Gen2 1840mm 78W Pro	23	36	45	29	47	59
Gamma Gen2 1840mm 96W Pro	23	36	45	24	38	47

i

### CUSTOMER SERVICE:

tel: +358 20 125 5800

info@greenled.fi