

# EPSILON R



Epsilon R is a round, classically imposing luminaire with downlight and uplight 70/30. The luminaire can be used to make, e.g., lobbies and offices feel spacious.

The light is pleasant and non-dazzling. The Epsilon R luminaire is available in white in 600 mm and 900 mm sizes as well as in two power versions.

## Benefits

The luminaire has low glare level because of the high-quality microprism. Available in on/off and DALI versions. Easy to install.

## Suitability

Direct ceiling surface mounting or installation with suspension wires.



## Product families and variants

MODEL	TYPE CODE	POWER	LUMINOUS FLUX	LUMINAIRE EFFICACY	LIFETIME	OPERATING TEMPERATURE
Epsilon R 48W	GLER0104860	48 W	5250 lm total 1750 lm UP / 3500 lm DOWN	110 lm/W	L80F10=50 000h	-20 - +45°C
Epsilon R 80W	GLER0108090	80 W	9000 lm total 3400 lm UP / 5600 lm DOWN	110 lm/W	L80F10=50 000h	-20 - +45°C

### Notes:

All values in ambient temperature of +25°C, CCT 4000K, luminous flux tolerance +-5%, output power tolerance +-5%. Use environment must be non condensing.

## Dimensions

MODEL	TYPE CODE	LENGTH (L)	HEIGHT (H)	WIDTH (W)	WEIGHT
Epsilon R 48W	GLER0104860	Ø 600 mm	82 mm		6,65 kg
Epsilon R 80W	GLER0108090	Ø 900 mm	82 mm		11,9 kg

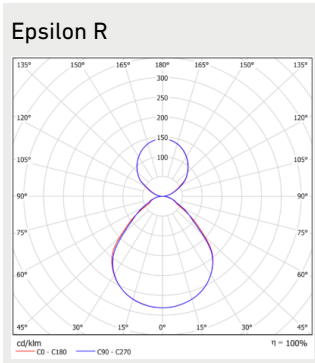
## General Description

COLOUR TEMPERATURE:	3000K, 4000K <sup>(1)</sup>
COLOUR RENDERING INDEX:	$R_A \geq 80$
IP CLASS:	IP20
IK CLASS:	IK04
SUPPLY VOLTAGE:	220-240 Vac
FREQUENCY:	50-60 Hz
PF:	>0.95
THD:	10%
CONNECTION:	Internal terminal block 3x2,5mm <sup>2</sup> OR 3x2,5mm <sup>2</sup> and +/- DALI
DIMMABILITY:	DALI, On/off
COLOUR:	White RAL9003
MATERIAL OF THE LUMINAIRE BODY:	Aluminum
GUARANTEE:	5 years
ACCESSORIES (INSTALLATION):	Epsilon R suspension set 1,5m

## Notes:

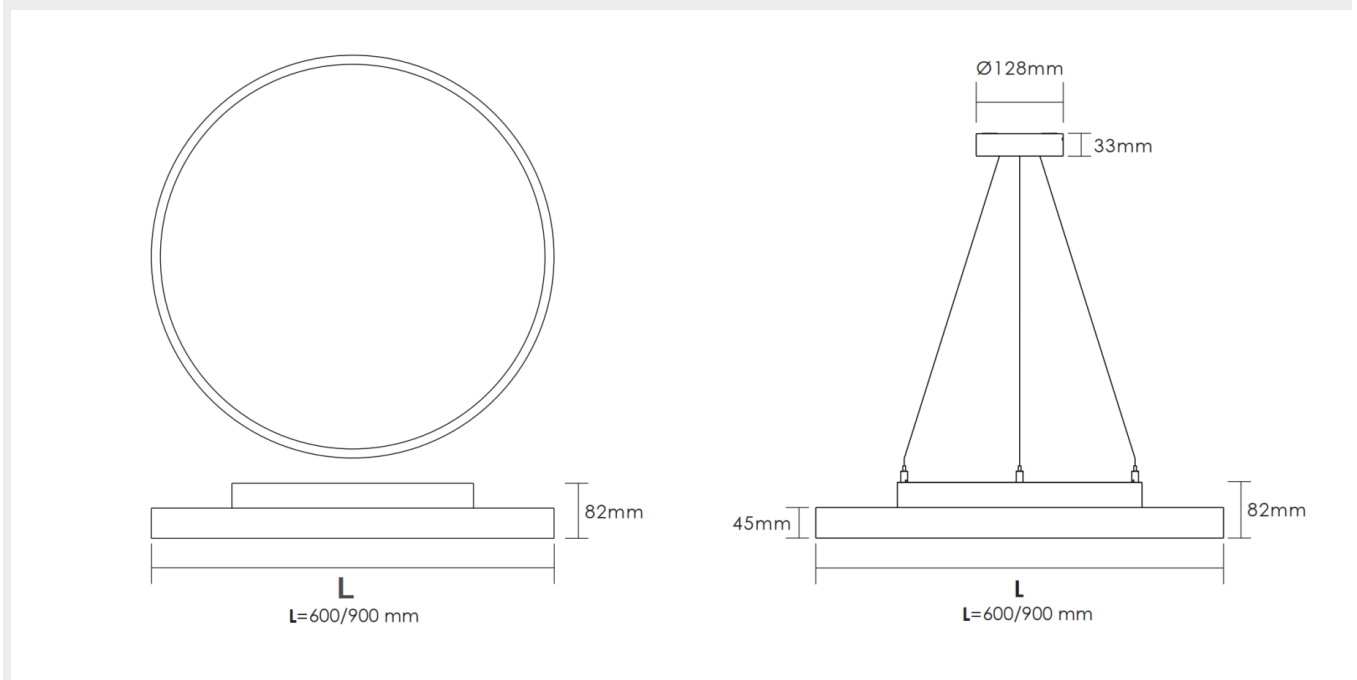
1) SDCM 3

## Light distribution



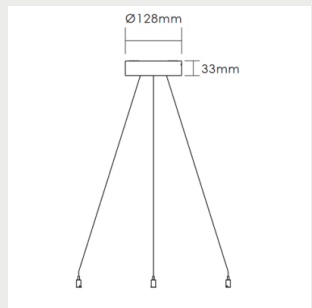
## Dimensions

### Epsilon R dimensional drawing



## Brackets

Epsilon R suspension set  
1,5m



## Circuit breakers

	B10	B16	B20	C10	C16	C20
Epsilon R 48W On/Off	6	9	11	11	17	20
Epsilon R 48W DALI	9	15	19	13	21	26
Epsilon R 80W On/Off	14	22	28	19	30	38
Epsilon R 80W DALI	14	22	28	19	30	38

i

### CUSTOMER SERVICE:

tel: +358 20 125 5800

info@greenled.fi