

# ECO S



ECO S is a new linear luminaire for generic lighting. It has a streamlined design language and a high level of environmental protection (IP65 & IK08). The luminaire is available in a range of different length, power and light distribution options for various environments.

The luminaire's pressure equalisation is based on a replaceable Gore filter, ensuring that the pressure-balancing air is kept clean in a controlled manner.

i

## Benefits

The luminaire's components and materials have been carefully selected to ensure energy efficiency and a long lifespan. Thanks to its high-quality optics, the luminaire delivers even and glare-free lighting. ECO S meets the needs of demanding environments and it has been designed to be easy to install and connect.

ECO S luminaire supports emergency lighting solutions made with Teknoware's addressed central systems.

## Suitability

A linear luminaire to be widely applied in industry, warehouses and sport&exercise premises. Thanks to its set of light distributions ECO S luminaire fits very well to various installation height applications.

i

## Product families and variants

MODEL	TYPE CODE	POWER	LUMINOUS FLUX	LUMINAIRE EFFICACY	LIFETIME	OPERATING TEMPERATURE
GLES	GLES01P029	29 W	4350 lm	150 lm/W	L70F10>100000 h; L80F10=93000 h	-20°C - +45°C
GLES	GLES01P034	34 W	5100 lm	150 lm/W	L70F10>100000 h; L80F10=96000 h	-20°C - +45°C
GLES	GLES01P040	40 W	5150 lm	129 lm/W	L70F10>100000 h; L80F10=91000 h	-20°C - +45°C
GLES	GLES01P052	52 W	7150 lm	137 lm/W	L70F10>100000 h; L80F10>100000 h	-20°C - +35°C
GLES	GLES01P062	62 W	9200 lm	148 lm/W	L70F10>100000 h; L80F10>100000 h	-20°C - +45°C
GLES	GLES01P070	70 W	10050 lm	143 lm/W	L70F10>100000 h; L80F10=94000 h	-20°C - +35°C
GLES	GLES01P074	74 W	10500 lm	142 lm/W	L70F10>100000 h; L80F10=83000 h	-20°C - +35°C
GLES	GLES01P082	82 W	11800 lm	144 lm/W	L70F10=80000 h; L80F10=80000 h	-20°C - +30°C
GLES	GLES01P097	97 W	13350 lm	137 lm/W	L70F10=93000 h; L80F10=93000 h	-20°C - +30°C
GLES	GLES01P112	112 W	16900 lm	150 lm/W	L70F10>100000 h; L80F10>100000 h	-20°C - +50°C
GLES	GLES01P115	115 W	17000 lm	148 lm/W	L70F10>100000 h; L80F10>100000 h	-20°C - +40°C
GLES	GLES01P121	121 W	15500 lm	128 lm/W	L70F10=88000 h; L80F10=88000 h	-20°C - +35°C
GLES	GLES01P146	146 W	20700 lm	142 lm/W	L70F10>100000 h; L80F10>100000 h	-20°C - +40°C

### Notes:

All values in +25°C ambient temperature, luminous flux tolerance +-5%, output power tolerance +-5%.

i

## Dimensions

MODEL	TYPE CODE	LENGTH (L)	HEIGHT (H)	WIDTH (W)	WEIGHT
GLES	GLES01P029	954 mm	84 mm	97 mm	3 kg
GLES	GLES01P034	954 mm	84 mm	97 mm	3 kg
GLES	GLES01P040	954 mm	84 mm	97 mm	3 kg
GLES	GLES01P052	954 mm	84 mm	97 mm	3 kg
GLES	GLES01P062	1254 mm	84 mm	97 mm	4 kg
GLES	GLES01P070	1254 mm	84 mm	97 mm	4 kg
GLES	GLES01P074	954 mm	84 mm	97 mm	3 kg
GLES	GLES01P082	954 mm	84 mm	97 mm	3 kg

MODEL	TYPE CODE	LENGTH (L)	HEIGHT (H)	WIDTH (W)	WEIGHT
GLES	GLES01P097	1254 mm	84 mm	97 mm	4 kg
GLES	GLES01P112	1554 mm	84 mm	97 mm	5 kg
GLES	GLES01P115	1254 mm	84 mm	97 mm	4 kg
GLES	GLES01P121	1254 mm	84 mm	97 mm	4 kg
GLES	GLES01P146	1554 mm	84 mm	97 mm	5 kg

## General Description

<b>COLOUR TEMPERATURE:</b>	3000 K, 4000 K, 5000 K 1) 2)
<b>COLOUR RENDERING INDEX:</b>	$R_A \geq 80$
<b>OPTIC:</b>	Narrow, medium wide, wide, frost
<b>LIGHT SOURCE SHIELD:</b>	PC
<b>IP CLASS:</b>	IP65
<b>IK CLASS:</b>	IK08
<b>SUPPLY VOLTAGE:</b>	202-254 Vac
<b>FREQUENCY:</b>	50-60 Hz
<b>PF:</b>	$\geq 0,9$
<b>THD:</b>	20%
<b>CONNECTION:</b>	Internal chainable terminal block 5*2.5 mm <sup>2</sup> or 3*2.5 mm <sup>2</sup> and +/- DALI (both option with pre-assembled installation cable set)
<b>DIMMABILITY:</b>	ON/OFF, DALI
<b>COLOUR:</b>	Anodized grey (option painted to RAL-coded colour)
<b>MATERIAL OF THE LUMINAIRE BODY:</b>	Recycled aluminium
<b>GUARANTEE:</b>	5 years
<b>ACCESSORIES (INSTALLATION):</b>	3908115 Ceiling bracket, 3508171 Gamma/Eco S suspension rail 70 bracket, 3508172 Gamma/Eco S suspension rail 82 bracket, 3508173 Gamma/Eco S suspension rail 120 bracket, 3508174 Horizontal wire bracket, 9905199 Adjustable surface mounting bracket, 9905200 Gamma/Eco S adjustable suspension rail 70 bracket, 9905201 Gamma/Eco S adjustable suspension rail 120 bracket, 9905202 Gamma/Eco S ladder/threaded rod bracket, G00341 Gamma/Eco S suspension wire bracket 3m, G00342 Gamma/Eco S suspension wire bracket 5m, G00337 Gamma/Eco S lighting track bracket

<b>ACCESSORIES (OTHERS):</b>	Through wiring set, chaining set, installation cable, installation cable with quick connectors (IP20),  assembly for address based central battery emergency lighting solutions (excluding 954mm long and 62 W versions)
------------------------------	--

### Notes:

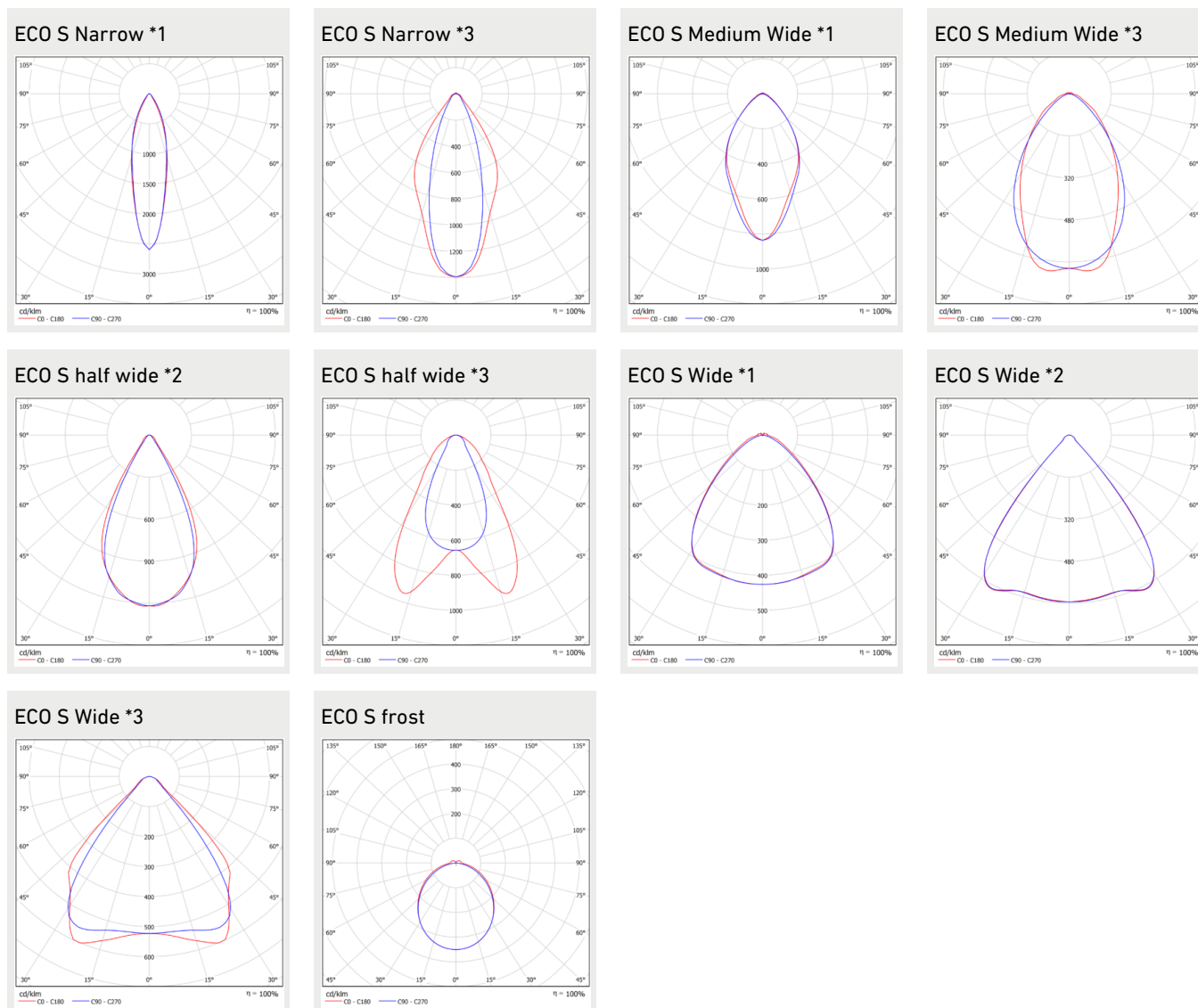
1) Only 4000 K and 5000 K 52 W, 62 W, 82 W, 112 W, 115 W, 146 W

2) SDCM  $\leq 5$ , option SDCM  $\leq 4$



D-marked luminaire with limited surface temperature. Meets the requirements of the IEC 60598-2-24 standard.

# Light distribution



## Notes:

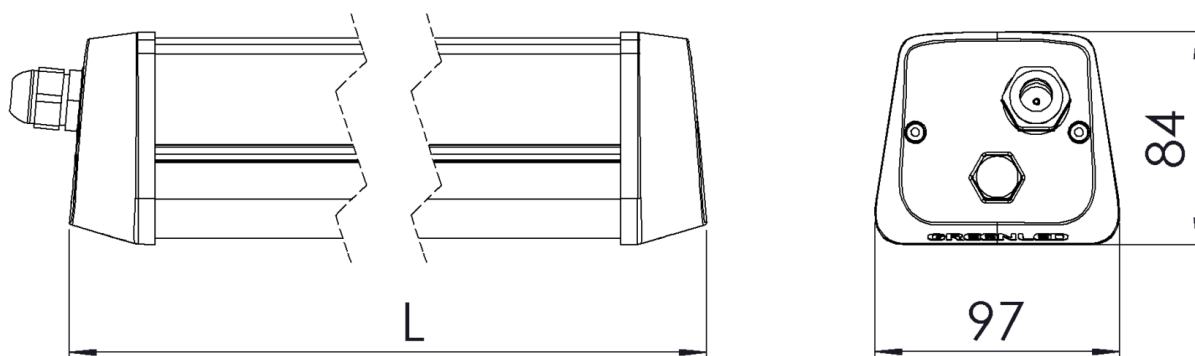
ECO S \_\_\_ \*1 = ECO S j29W, ECO S 40W, ECO S 52W

ECO S \_\_\_ \*2 = ECO S 62W

ECO S \_\_\_ \*3 = ECO S 34W, ECO S 70W, ECO S 74W, ECO S 82W, ECO S 97W, ECO S 112W, ECO S 115W, ECO S 121W, ECO S 146W

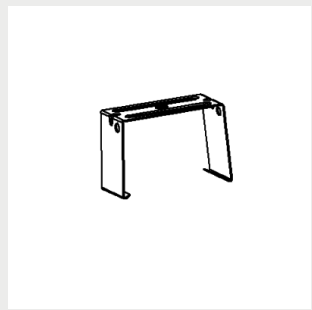
## Dimensions

Dimensional drawing

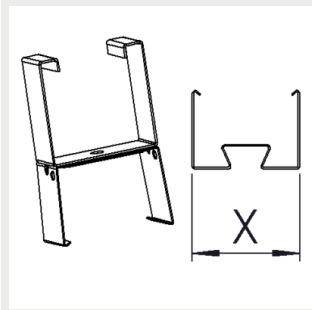


## Brackets

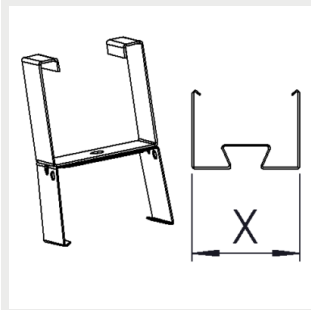
3908115 Ceiling bracket



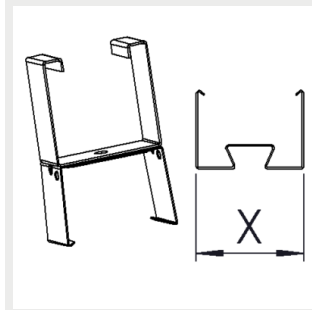
3508171 Gamma/Eco S suspension rail 70 bracket



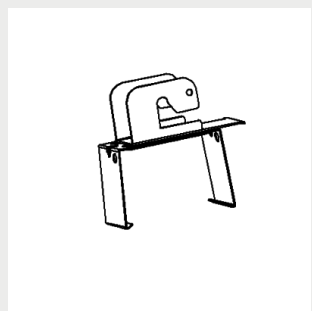
3508172 Gamma/Eco S suspension rail 82 bracket



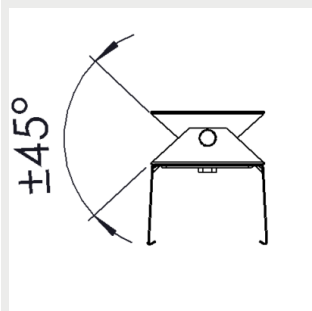
3508173 Gamma/Eco S suspension rail 120 bracket



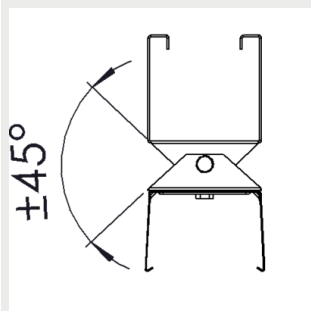
3508174 Horizontal wire bracket



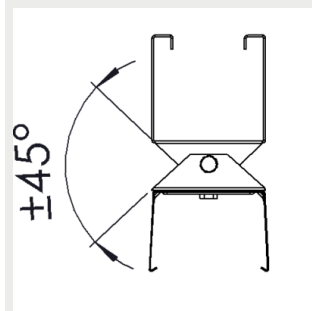
9905199 Adjustable surface mounting bracket



9905200 Gamma/Eco S adjustable suspension rail 70 bracket



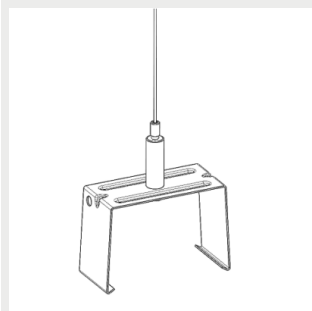
9905201 Gamma/Eco S adjustable suspension rail 120 bracket



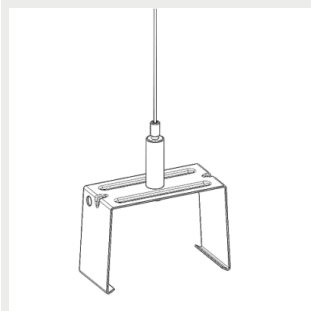
9905202 Gamma/Eco S ladder/threaded rod bracket



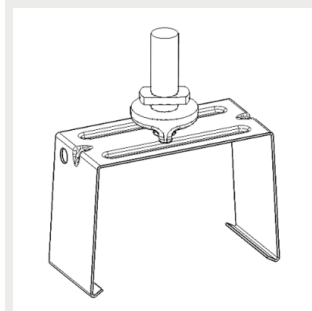
G00341 Gamma/Eco S suspension wire bracket 3m



G00342 Gamma/Eco S suspension wire bracket 5m

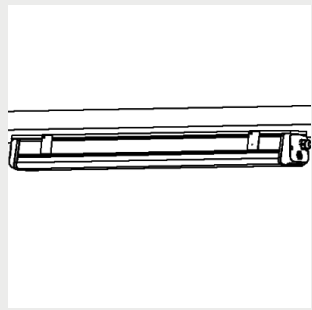


G00337 Gamma/Eco S lighting track bracket



## Accessories

Surface-installed seal <sup>(1)</sup>



## Circuit breakers

	B10	B16	B20	C10	C16	C20
ECO S 29W; ECO S 34W; ECO S 40W ON/OFF	10	16	21	16	26	35
ECO S 29W; ECO S 34W; ECO S 40W DALI	19	31	39	32	53	66
ECO S 52W; ECO S 62W ON/OFF	16	26	32	26	43	54
ECO S 52W; ECO S 62W DALI	15	24	30	24	40	50
ECO S 70W; ECO S 74W ON/OFF	11	18	22	18	30	37
ECO S 70W; ECO S 74W DALI	11	18	23	19	31	38
ECO S 82W; ECO S 97W ON/OFF	8	13	16	13	22	27
ECO S 82W; ECO S 97W DALI	7	12	15	13	21	26
ECO S 112W; ECO S 115W; ECO S 121W ON/OFF	7	12	15	12	20	24
ECO S 112W; ECO S 115W; ECO S 121W DALI	10	16	20	16	27	33
ECO S 146W ON/OFF	11	18	22	11	18	22
ECO S 146W DALI	14	22	28	14	22	28

i

### CUSTOMER SERVICE:

tel;+358 20 125 5800

info@greenled.fi