

ECO S EVI



ECO S EVI is a new linear luminaire for generic lighting. It has a streamlined design language and a high level of environmental tolerance (IP65 & IK08) for a demanding usage environment. The luminaire is available in a range of different length, power and light distribution options for various environments. Several surface treatment options are available for different environments from industrial premises to premises that require cleanliness. The D classification of the luminaire enables installation even in dusty environments.

The luminaire's pressure equalisation is based on a replaceable Gore filter, ensuring that the pressure-balancing air is kept clean in a controlled manner and protecting the internal parts of the luminaire from dust and dirt.

i

Benefits

The luminaire's components and materials have been carefully selected to ensure energy efficiency and a long lifespan. Thanks to its high-quality optics, the luminaire delivers even and glare-free lighting. ECO S EVI meets the needs of demanding environments and it has been designed to be easy to install and connect.

Suitability

ECO S EVI is suited for indoor lighting in the food industry, heavy industry, logistics and agriculture. With a comprehensive range of light distribution options, this luminaire can be installed in both low-ceiling and high-ceiling premises (2 to 12m).

i

Product families and variants

MODEL	TYPE CODE	POWER	LUMINOUS FLUX	LUMINAIRE EFFICACY	LIFETIME	OPERATING TEMPERATURE
GLESE	GLESE01P029	29 W	4350 lm	150 lm/W	L70F10>100000 h; L80F10=93000 h	-20°C - +45°C
GLESE	GLESE01P034	34 W	5100 lm	150 lm/W	L70F10>100000 h; L80F10=96000 h	-20°C - +45°C
GLESE	GLESE01P040	40 W	5150 lm	129 lm/W	L70F10>100000 h; L80F10=91000 h	-20°C - +45°C
GLESE	GLESE01P052	52 W	7150 lm	137 lm/W	L70F10>100000 h; L80F10>100000 h	-20°C - +35°C
GLESE	GLESE01P062	62 W	9200 lm	148 lm/W	L70F10>100000 h; L80F10>100000 h	-20°C - +45°C
GLESE	GLESE01P070	70 W	10050 lm	143 lm/W	L70F10>100000 h; L80F10=94000 h	-20°C - +35°C
GLESE	GLESE01P074	74 W	10500 lm	142 lm/W	L70F10>100000 h; L80F10=83000 h	-20°C - +35°C
GLESE	GLESE01P082	82 W	11800 lm	144 lm/W	L70F10=80000 h; L80F10=80000 h	-20°C - +30°C
GLESE	GLESE01P097	97 W	13350 lm	137 lm/W	L70F10=93000 h; L80F10=93000 h	-20°C - +30°C
GLESE	GLESE01P112	112 W	16900 lm	150 lm/W	L70F10>100000 h; L80F10>100000 h	-20°C - +50°C
GLESE	GLESE01P115	115 W	17000 lm	148 lm/W	L70F10>100000 h; L80F10>100000 h	-20°C - +40°C
GLESE	GLESE01P121	121 W	15500 lm	128 lm/W	L70F10=88000 h; L80F10=88000 h	-20°C - +35°C
GLESE	GLESE01P146	146 W	20700 lm	142 lm/W	L70F10>100000 h; L80F10>100000 h	-20°C - +40°C

Notes:

All values in +25°C ambient temperature, luminous flux tolerance +-5%, output power tolerance +-5%.

i

Dimensions

MODEL	TYPE CODE	LENGTH (L)	HEIGHT (H)	WIDTH (W)	WEIGHT
GLESE	GLESE01P029	954 mm	84 mm	97 mm	3 kg
GLESE	GLESE01P034	954 mm	84 mm	97 mm	3 kg
GLESE	GLESE01P040	954 mm	84 mm	97 mm	3 kg
GLESE	GLESE01P052	954 mm	84 mm	97 mm	3 kg
GLESE	GLESE01P062	1254 mm	84 mm	97 mm	4 kg
GLESE	GLESE01P070	1254 mm	84 mm	97 mm	4 kg
GLESE	GLESE01P074	954 mm	84 mm	97 mm	3 kg
GLESE	GLESE01P082	954 mm	84 mm	97 mm	3 kg

MODEL	TYPE CODE	LENGTH (L)	HEIGHT (H)	WIDTH (W)	WEIGHT
GLESE	GLESE01P097	1254 mm	84 mm	97 mm	4 kg
GLESE	GLESE01P112	1554 mm	84 mm	97 mm	5 kg
GLESE	GLESE01P115	1254 mm	84 mm	97 mm	4 kg
GLESE	GLESE01P121	1254 mm	84 mm	97 mm	4 kg
GLESE	GLESE01P146	1554 mm	84 mm	97 mm	5 kg

General Description

COLOUR TEMPERATURE:	3000 K, 4000 K, 5000 K ⁽¹⁾
COLOUR RENDERING INDEX:	$R_A \geq 80$ (CRI90)
OPTIC:	Narrow, medium wide, wide, frost
LIGHT SOURCE SHIELD:	PMMA
IP CLASS:	IP65
IK CLASS:	IK08
SUPPLY VOLTAGE:	202-254 Vac
FREQUENCY:	50-60 Hz
PF:	$\geq 0,9$
THD:	20%
CONNECTION:	Internal chainable terminal block 5*2.5 mm ² or 3*2.5 mm ² and +/- DALI (both option with pre-assembled installation cable set)
DIMMABILITY:	ON/OFF, DALI
COLOUR:	Anodized grey (option painted to RAL-coded colour)
MATERIAL OF THE LUMINAIRE BODY:	Recycled aluminium
GUARANTEE:	5 years
ACCESSORIES (INSTALLATION):	Lighting suspension rail bracket, 3908115 Ceiling bracket, 3508174 Horizontal wire bracket, 9905199 Adjustable surface mounting bracket, Adjustable lighting track bracket
ACCESSORIES (OTHERS):	Through wiring set, chaining set, installation cable, installation cable with quick connectors (IP20). Surface-installed seal that prevents the accumulation of dust and dirt (available for 954 mm and 1,254 mm luminaires).

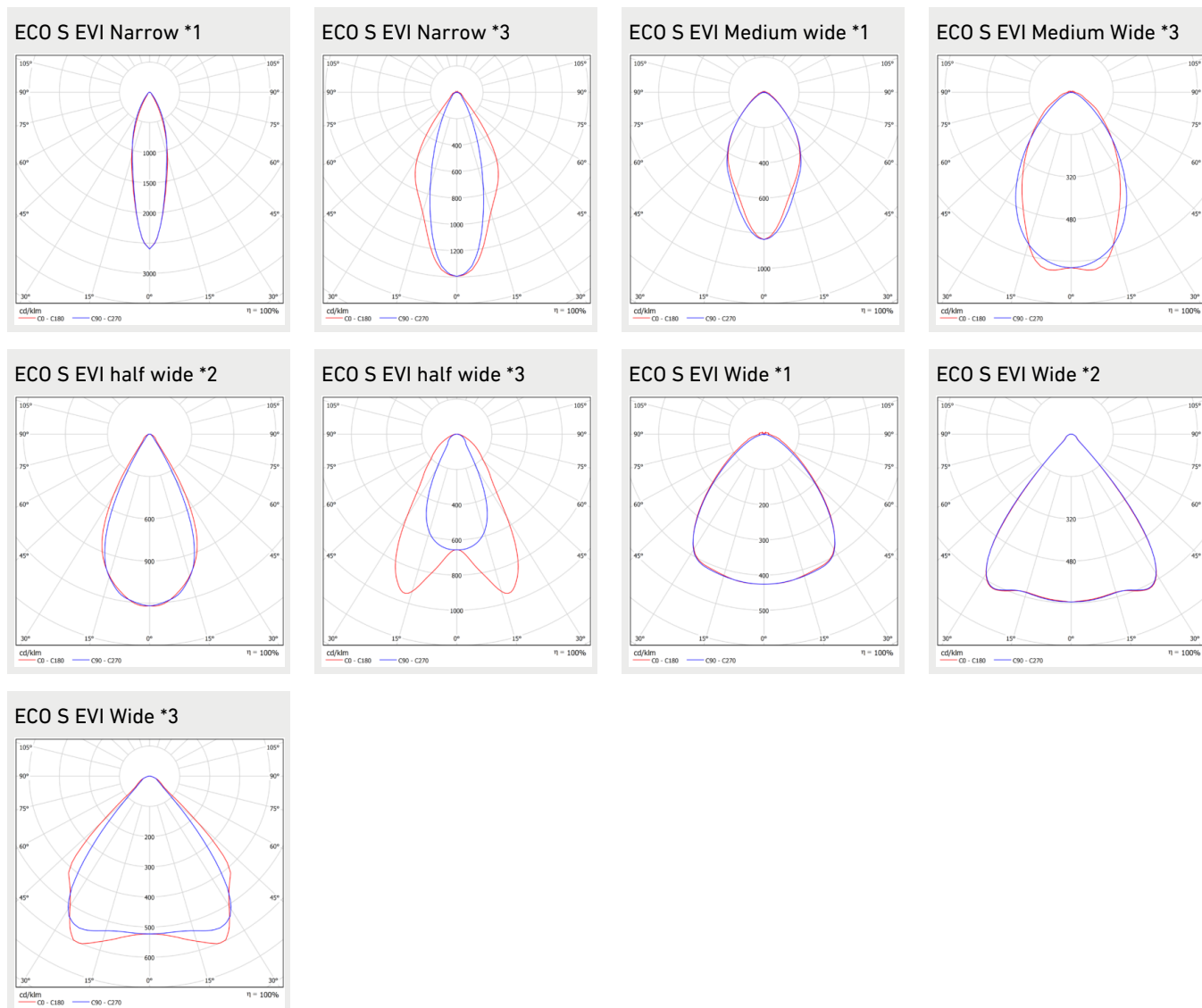
Notes:

1) Only 4000 K and 5000 K 52 W, 62 W, 82 W, 112 W, 115 W, 146 W



D-marked luminaire with limited surface temperature. Meets the requirements of the IEC 60598-2-24 standard.

Light distribution



Notes:

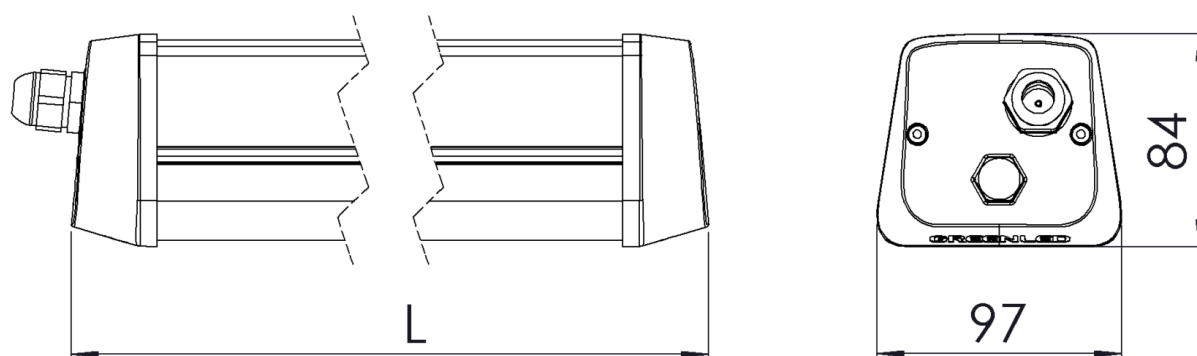
ECO S EVI ___*1 = ECO S_i 29W, ECO S 40W, ECO S 52W

ECO S EVI ___*2 = ECO S 62W

ECO S EVI ___*3 = ECO S 34W, ECO S 70W, ECO S 74W, ECO S 82W, ECO S 97W, ECO S 112W, ECO S 115W, ECO S 121W, ECO S 146W

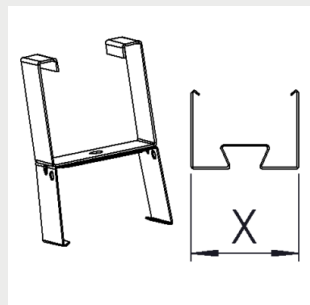
Dimensions

Dimensional drawing



Brackets

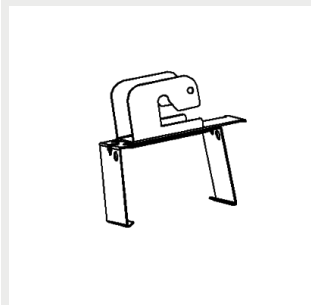
Lighting suspension rail bracket



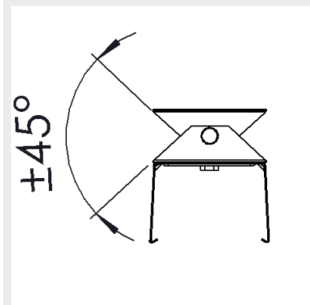
3908115 Ceiling bracket



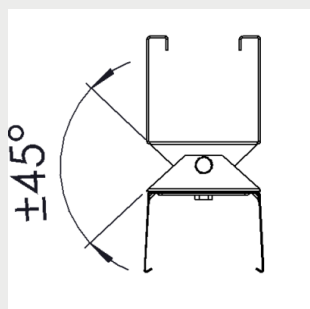
3508174 Horizontal wire bracket



9905199 Adjustable surface mounting bracket



Adjustable lighting track bracket

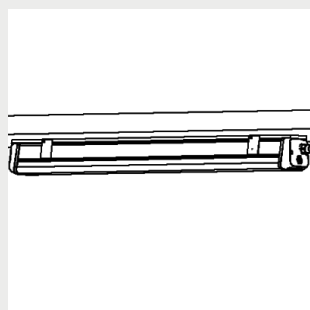


Notes:

X=70mm, 82mm, 110mm

Accessories

Surface-installed seal ⁽¹⁾



Notes:

1. Surface-installed seal that prevents the accumulation of dust and dirt between the luminaire and the ceiling/wall. Available for 954 mm and 1,254 mm luminaires. Antibacterial coating.

i

Circuit breakers

	B10	B16	B20	C10	C16	C20
ECO S 29W; ECO S 34W; ECO S 40W ON/OFF	10	16	21	16	26	35
ECO S 29W; ECO S 34W; ECO S 40W DALI	19	31	39	32	53	66
ECO S 52W; ECO S 62W ON/OFF	16	26	32	26	43	54
ECO S 52W; ECO S 62W DALI	15	24	30	24	40	50
ECO S 70W; ECO S 74W ON/OFF	11	18	22	18	30	37
ECO S 70W; ECO S 74W DALI	11	18	23	19	31	38
ECO S 82W; ECO S 97W ON/OFF	8	13	16	13	22	27
ECO S 82W; ECO S 97W DALI	7	12	15	13	21	26
ECO S 112W; ECO S 115W; ECO S 121W ON/OFF	7	12	15	12	20	24
ECO S 112W; ECO S 115W; ECO S 121W DALI	10	16	20	16	27	33
ECO S 146W ON/OFF	11	18	22	11	18	22
ECO S 146W DALI	14	22	28	14	22	28

i

CUSTOMER SERVICE:

tel: +358 20 125 5800

info@greenled.fi