

ALFA Z DIRECT



The elegant and timeless design of the Alfa Z luminaire creates comfort in offices, restaurants, shops and schools.

Alfa Z direct is suitable for general lighting in offices, shops, schools and restaurants. Adaptive modular structure makes it possible to build linear and square solutions. There is an option to add spotlights to extension profiles with track line.

Benefits

Ease of design:

There is the same luminous flux amount in 3000K, 4000K and 5000K versions with CRI 80 and CRI 90 LED. In CRI 90 version, the luminaire power is about +20%. This facilitates design where any light color or color rendering version can be selected without having to constantly update the light design.

Design, color and structure:

The luminaire represents elegant Finnish minimalist design and blends seamlessly with the architecture. Frame of luminaire is made from aluminum and default colors of the luminaire are white (RAL 9003) or black (RAL 9005) with metal effect coating. The end caps are polycarbonate with metal effect surface. Standard colors are red (RAL 3020), yellow (RAL 1016), gray (RAL 9006) and green (RAL 6018). Other colors from RAL color map are also available (end caps and corner parts are on standard and optional colors always black). The top surface of the luminaire is easy to clean.

Carbon footprint:

Alfa Z dark light office luminaires have very small carbon footprint. This is possible thanks to the high quality LEDs with efficiency over 230 lm/W (CRI 80) and "Design in Finland" optics with up to 94% efficiency (white version).

Suitability

Office, school, restaurant, shop, café, grocery store

Product families and variants

MODEL	TYPE CODE	POWER	LUMINOUS FLUX	LUMINAIRE EFFICACY	LIFETIME
Alfa Z 13W direct	GLAZ0113D	13 W	1) 2150 lm 2) 2260 lm 3) 2480 lm	1) 165 lm/W, 2) 174 lm/W, 3) 191 lm/W	L70F10 = 100 000 h
Alfa Z 18W direct	GLAZ0118D	18 W	1) 2900 lm 2) 3090 lm 3) 3390 lm	1) 165 lm/W, 2) 174 lm/W, 3) 191 lm/W	L70F10 = 100 000 h
Alfa Z 25W direct	GLAZ0125D	25 W	1) 3920 lm 2) 4160 lm 3) 4570 lm	1) 157 lm/W, 2) 166 lm/W, 3) 183 lm/W	L70F10 = 100 000 h
Alfa Z 34W direct	GLAZ0134D	34 W	1) 5170 lm 2) 5470 lm 3) 6010 lm	1) 152 lm/W, 2) 161 lm/W, 3) 177 lm/W	L70F10 = 100 000 h
Alfa Z 41W direct	GLAZ0141D	41 W	1) 6130 lm 2) 6500 lm 3) -	1) 150 lm/W, 2) 159 lm/W, 3) -	L70F10 = 100 000 h
Alfa Z 52W direct	GLAZ0152D	52 W	1) 7550 lm 2) - 3) -	1) 145 lm/W, 2) -, 3) -	L70F10 = 100 000 h

Notes:

All values in ambient temperature of +25°C, CCT 4000K, CRI80, luminous flux tolerance +-5%, output power tolerance +-5%. Use environment must be non condensing.

1) 68° black optic

2) 81° black optic

3) 82° white optic

i

Dimensions

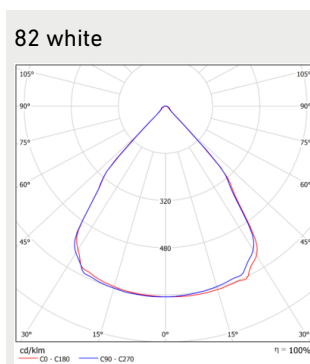
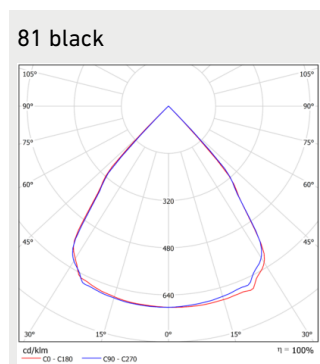
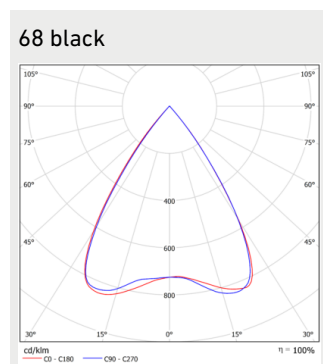
MODEL	TYPE CODE	LENGTH (L)	HEIGHT (H)	WIDTH (W)	WEIGHT
Alfa Z 13W direct	GLAZ0113D	1260 mm	88 mm	50 mm	3,2 kg
Alfa Z 18W direct	GLAZ0118D	1260 mm	88 mm	50 mm	3,2 kg
Alfa Z 25W direct	GLAZ0125D	1260 mm	88 mm	50 mm	3,2 kg
Alfa Z 34W direct	GLAZ0134D	1260 mm	88 mm	50 mm	3,2 kg
Alfa Z 41W direct	GLAZ0141D	1260 mm	88 mm	50 mm	3,2 kg
Alfa Z 52W direct	GLAZ0152D	1260 mm	88 mm	50 mm	3,2 kg

General Description

COLOUR TEMPERATURE:	3000 K, 4000 K, 5000 K
----------------------------	------------------------

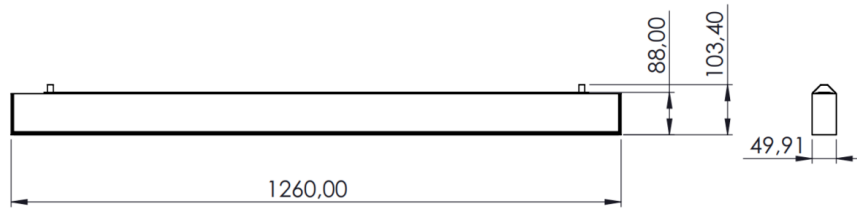
COLOUR RENDERING INDEX:	$R_A \geq 80, 90$
OPTIC:	PMMA, PC
IP CLASS:	IP20
SUPPLY VOLTAGE:	220-240 Vac
FREQUENCY:	50-60 Hz
PF:	>0.95
THD:	20%
CONNECTION:	Chainable max 5*1.5mm ² OR max 3*1.5mm ² and DALI +/-
DIMMABILITY:	Casambi, DALI, On/off, Pull-Cord switch
COLOUR:	RAL9005 or RAL9003, other RAL colours as an option
MATERIAL OF THE LUMINAIRE BODY:	Aluminum
GUARANTEE:	5 years
ACCESSORIES (INSTALLATION):	Wire bracket Extension frame 1250mm

Light distribution



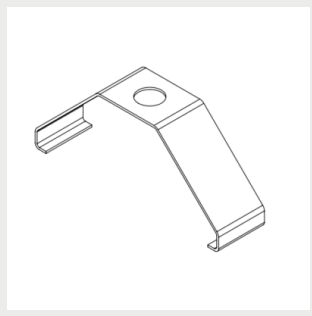
Dimensions

Dimensional drawing



Brackets

Wire bracket



Circuit breakers

	B10	B16	B20	C10	C16	C20
Alfa Z 13W, 18W, 25W On/Off	21	34	42	35	57	70
Alfa Z 34W, 41W On/Off	16	25	31	26	42	52
Alfa Z 52W On/Off	8	13	16	13	22	27
Alfa Z 13W, 18W, 25W DALI & Casambi	14	24	30	24	40	49
Alfa Z 34W, 41W, 52W DALI & Casambi	12	20	25	20	34	41

i

CUSTOMER SERVICE:

tel: +358 20 125 5800

info@greenled.fi