

# ALFA Z DIRECT/INDIRECT



The elegant and timeless design of the Alfa Z luminaire creates comfort in offices, restaurants, shops and schools.

Alfa Z direct/indirect luminaires are suitable for workplace-specific lighting and school lighting thanks to separately controlled uplight and downlight. Adaptive modular structure makes it possible to build linear and square solutions. There is an option to add spotlights to extension profiles with track line.

## Benefits

### Ease of design:

There is the same luminous flux amount in 3000K, 4000K and 5000K versions with CRI 80 and CRI 90 LED. In CRI 90 version, the luminaire power is about +20%. This facilitates design where any light color or color rendering version can be selected without having to constantly update the light design.

### Design, color and structure:

The luminaire represents elegant Finnish minimalist design and blends seamlessly with the architecture. Frame of luminaire is made from aluminum and default colors of the luminaire are white (RAL 9003) or black (RAL 9005) with metal effect coating. The end caps are polycarbonate with metal effect surface. Standard colors are red (RAL 3020), yellow (RAL 1016), gray (RAL 9006) and green (RAL 6018). Other colors from RAL color map are also available (end caps and corner parts are on standard and optional colors always black). The top surface of the luminaire is easy to clean.

### Carbon footprint:

Alfa Z dark light office luminaires have very small carbon footprint. This is possible thanks to the high quality LEDs with efficiency over 230 lm/W (CRI 80) and "Design in Finland" optics with up to 94% efficiency (white version).

## Suitability

Office, school, restaurant, shop, coffee shop, grocery store.

- 50/50 and 40/60 versions provide glare-free solutions that meet the requirements of EN 12464: VDU L65  $\approx 1500\text{cd} / \text{m}^2$  and VDU L65  $\approx 3000\text{cd} / \text{m}^2$ ;
- 30/70 version with high uplight provides good vertical illumination for biological lighting;
- 75/25 version with low uplight provides efficient and glare-free general lighting;
- As for the customizable uplight and downlight version, the designer can choose the downlight and uplight luminous flux distribution. Uplight luminous flux can be on between 1000-7000lm. The product is delivered pre-programmed. Customization allows for creation of a tailor-made solution that fills biological and visual lighting requirements.

## Product families and variants

MODEL	TYPE CODE	POWER	LUMINOUS FLUX	LUMINAIRE EFFICACY	LIFETIME	OPERATING TEMPERATURE
Alfa Z 33W 68° black	GLAZ0133DU68BL	33 W	5140 lm total 58% UP / 42% DOWN	156 lm/W	L70F10 = 100 000 h	0 - +40°C
Alfa Z 33W 81° black	GLAZ0133DU81BL	33 W	5270 lm total 58% UP / 42% DOWN	160 lm/W	L70F10 = 100 000 h	0 - +40°C
Alfa Z 33W 82° white	GLAZ0133DU82WH	33 W	5490 lm total 58% UP / 42% DOWN	166 lm/W	L70F10 = 100 000 h	0 - +40°C
Alfa Z 39W 68° black	GLAZ0139DU68BL	39 W	5910 lm total 51% UP / 49% DOWN	152 lm/W	L70F10 = 100 000 h	0 - +40°C
Alfa Z 39W 81° black	GLAZ0139DU81BL	39 W	6090 lm total 49% UP / 51% DOWN	152 lm/W	L70F10 = 100 000 h	0 - +40°C
Alfa Z 47W 82° white	GLAZ0147DU82WH	47 W	8010 lm total 25% UP / 75% DOWN	170 lm/W	L70F10 = 100 000 h	0 - +40°C
Alfa Z 52W 81° black	GLAZ0152DU81BL	52 W	8170 lm total 49% UP / 51% DOWN	157 lm/W	L70F10 = 100 000 h	0 - +40°C
Alfa Z 54W 81° black	GLAZ0154DU81BL	54 W	8500 lm total 24% UP / 76% DOWN	157 lm/W	L70F10 = 100 000 h	0 - +40°C
Alfa Z 76W 81° black	GLAZ0176DU81BL	76 W	10090 lm total 69% UP / 31% DOWN	133 lm/W	L70F10 = 100 000 h	0 - +40°C

### Notes:

All values in ambient temperature of +25°C, CCT 4000K, CRI80, luminous flux tolerance +-5%, output power tolerance +-5%. Use environment must be non condensing.

## Dimensions

MODEL	TYPE CODE	LENGTH (L)	HEIGHT (H)	WIDTH (W)	WEIGHT
Alfa Z 33W 68° black	GLAZ0133DU68BL	1260 mm	88 mm	50 mm	3,5 kg
Alfa Z 33W 81° black	GLAZ0133DU81BL	1260 mm	88 mm	50 mm	3,5 kg
Alfa Z 33W 82° white	GLAZ0133DU82WH	1260 mm	88 mm	50 mm	3,5 kg
Alfa Z 39W 68° black	GLAZ0139DU68BL	1260 mm	88 mm	50 mm	3,5 kg
Alfa Z 39W 81° black	GLAZ0139DU81BL	1260 mm	88 mm	50 mm	3,5 kg
Alfa Z 47W 82° white	GLAZ0147DU82WH	1260 mm	88 mm	50 mm	3,5 kg
Alfa Z 52W 81° black	GLAZ0152DU81BL	1260 mm	88 mm	50 mm	3,5 kg
Alfa Z 54W 81° black	GLAZ0154DU81BL	1260 mm	88 mm	50 mm	3,5 kg
Alfa Z 76W 81° black	GLAZ0176DU81BL	1260 mm	88 mm	50 mm	3,5 kg

## General Description

More information on the product page: <https://greenled.com/lighting-products/product/alfa-z-direct-indirect/>

© 2024 Greenled Oy | Greenled reserves the right to change product details

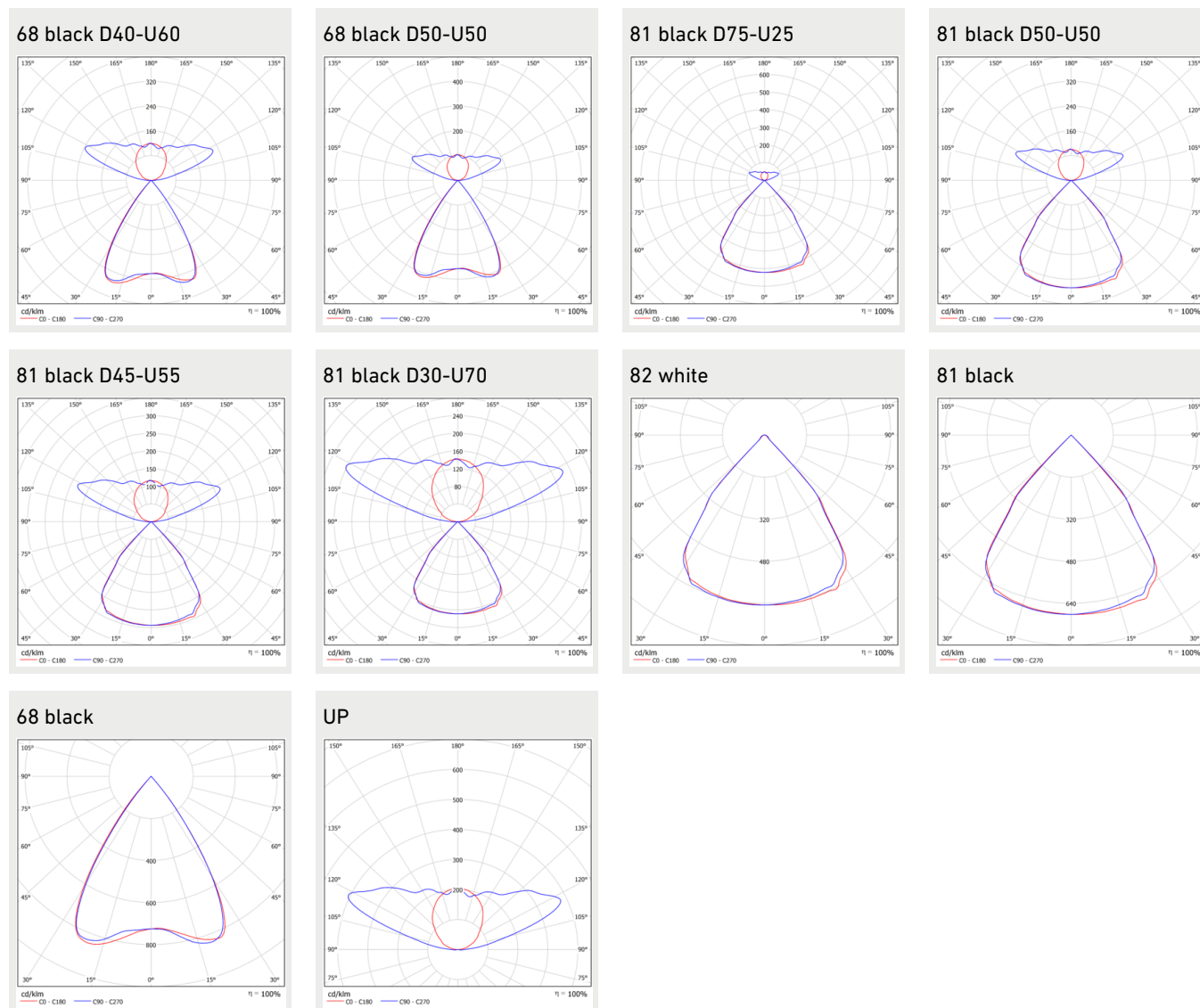
**GREENLED**

<b>COLOUR TEMPERATURE:</b>	3000 K, 4000 K, 5000 K
<b>COLOUR RENDERING INDEX:</b>	$R_A \geq 80, 90$
<b>OPTIC:</b>	PMMA, PC
<b>IP CLASS:</b>	IP20
<b>SUPPLY VOLTAGE:</b>	220-240 Vac
<b>FREQUENCY:</b>	50-60 Hz
<b>PF:</b>	>0.95
<b>THD:</b>	20%
<b>CONNECTION:</b>	Chainable max 5*1.5mm <sup>2</sup> OR max 3*1.5mm <sup>2</sup> and DALI +/-
<b>DIMMABILITY:</b>	Casambi, DALI, On/off, Pull-Cord switch
<b>COLOUR:</b>	RAL9005 or RAL9003, other RAL colours as an option
<b>MATERIAL OF THE LUMINAIRE BODY:</b>	Aluminum
<b>GUARANTEE:</b>	5 years
<b>ACCESSORIES (INSTALLATION):</b>	Wire bracket Extension frame 1250mm

## Notes:

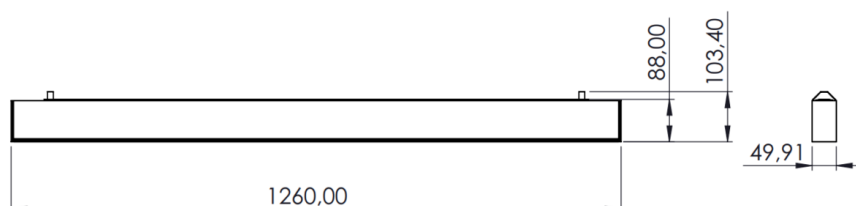
Two DALI addresses

## Light distribution



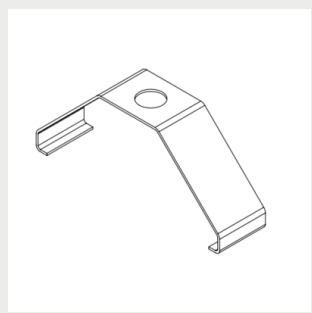
## Dimensions

Dimensional drawing



## Brackets

Wire bracket



## Circuit breakers

	B10	B16	B20	C10	C16	C20
Alfa Z 33W, 39W, 52W, 76W DALI & Casambi	7	12	15	12	20	24
Alfa Z 47W, 54W DALI & Casambi	6	10	12	10	17	20

i

## **CUSTOMER SERVICE:**

tel;+358 20 125 5800

info@greenled.fi