

# ALFA Y



A sleek, modern and cost-effective luminaire. Alfa Y is a suspended workplace luminaire with up- and downlight for offices and public spaces. Different power and light distribution variations are available to suit a wide range of needs. The luminaire was designed with a particular focus on non-glare, which is achieved using a high-quality optical structure. The frame of the luminaire is made of white-painted steel.

## Benefits

With its efficiency and non-glare feature, Alfa Y fulfils the high lighting demands of offices and public spaces. Light distribution characteristics optimised for interior spaces ensure even lighting. The energy-efficient luminaire guarantees minimal lifespan costs. The luminaire is especially easy to install and connect thanks to its spring lock structure. Alfa Y can be quickly installed with wire brackets and can be connected from the ends or from the top in the centre of the luminaire. Pull-cord switch option available.

## Suitability

A glare-free suspended luminaire for offices and public spaces. Alfa Y is ideal for general lighting of workstations, offices, meeting rooms, break rooms and other public spaces.



**GREENLED**

## Product families and variants

MODEL	TYPE CODE	POWER	LUMINOUS FLUX	LUMINAIRE EFFICACY	LIFETIME	OPERATING TEMPERATURE
GL ALFA Y 43W	GLAY01043	43 W	5350 lm total 33% UP / 67% DOWN	124 lm/W	L70F10 = 69 000 h; L80F10 = 44 000 h	0 - +40 °C
GL ALFA Y 55W	GLAY01055	55 W	7000 lm total 49% UP / 51% DOWN	127 lm/W	L70F10 = 67 000 h; L80F10 = 43 000 h	0 - +40 °C
GL ALFA Y 80W	GLAY01080	80 W	9840 lm total 30% UP / 70% DOWN	123 lm/W	L70F10 = 80 000 h; L80F10 = 51 000 h	0 - +30 °C
GL ALFA Y 82W	GLAY01082	82 W	10300 lm total 48% UP / 52% DOWN	126 lm/W	L70F10 = 80 000 h; L80F10 = 51 000 h	0 - +35 °C

### Notes:

All values in ambient temperature of +25°C, CCT 4000K, luminous flux tolerance +-5%, output power tolerance +-5%. Use environment must be non condensing.

## Dimensions

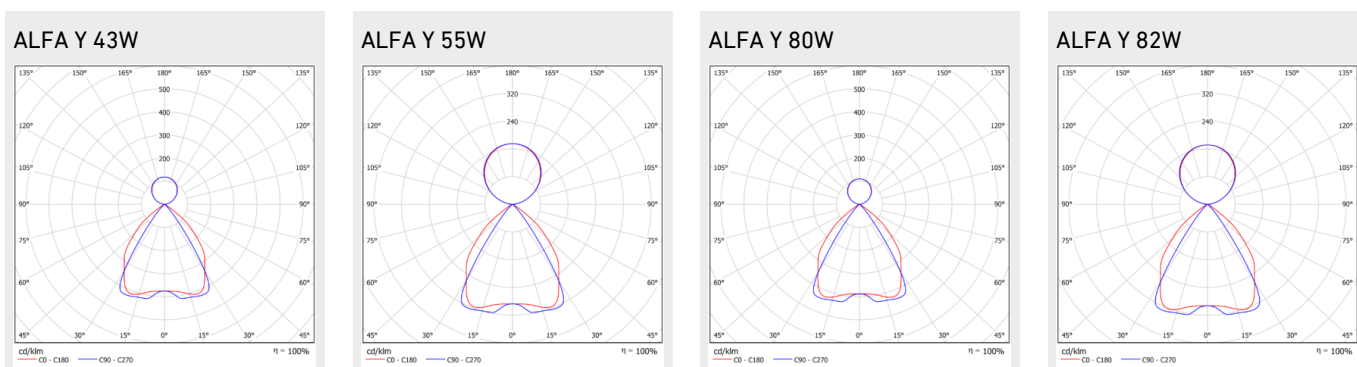
MODEL	TYPE CODE	LENGTH (L)	HEIGHT (H)	WIDTH (W)	WEIGHT
GL ALFA Y 43W	GLAY01043	1195 mm	54 mm	172 mm	4 kg
GL ALFA Y 55W	GLAY01055	1195 mm	54 mm	172 mm	4 kg
GL ALFA Y 80W	GLAY01080	1195 mm	54 mm	172 mm	4 kg
GL ALFA Y 82W	GLAY01082	1195 mm	54 mm	172 mm	4 kg

## General Description

<b>COLOUR TEMPERATURE:</b>	3000 K, 4000 K
<b>COLOUR RENDERING INDEX:</b>	$R_A \geq 80$
<b>IP CLASS:</b>	IP20
<b>SUPPLY VOLTAGE:</b>	220-240 Vac
<b>FREQUENCY:</b>	50-60 Hz
<b>CONNECTION:</b>	Chainable max 5*2.5mm <sup>2</sup> OR max 3*2.5mm <sup>2</sup> and DALI +/-
<b>DIMMABILITY:</b>	DALI, On/off

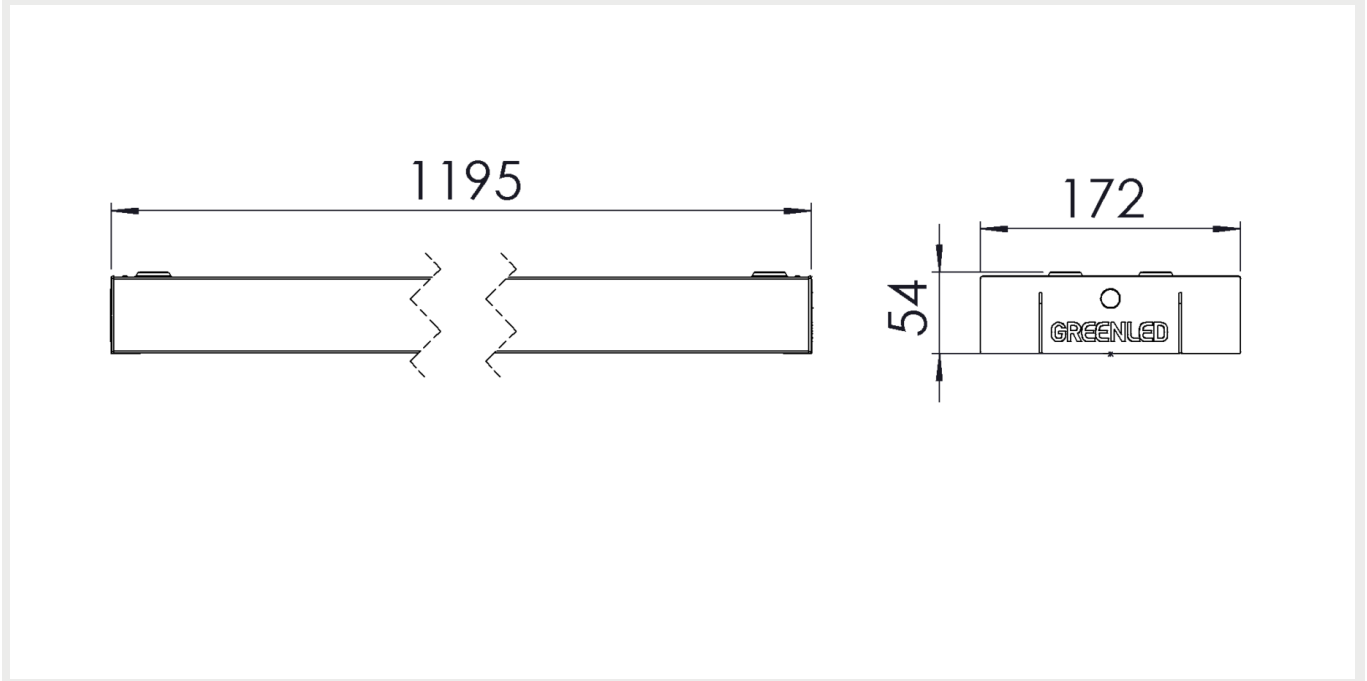
<b>COLOUR:</b>	White
<b>MATERIAL OF THE LUMINAIRE BODY:</b>	Steel
<b>GUARANTEE:</b>	5 years
<b>ACCESSORIES (INSTALLATION):</b>	Suspension set
<b>ACCESSORIES (OTHERS):</b>	Pull-cord switch

## Light distribution



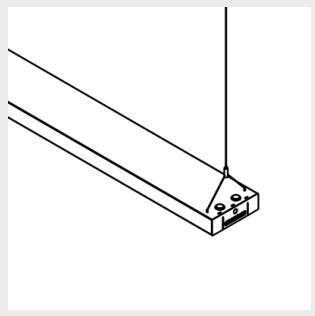
## Dimensions

Dimensional drawing



## Brackets

Suspension set



## Circuit breakers

	B10	B16	B20	C10	C16	C20
ALFA Y ON/OFF	15	24	30	24	40	49
ALFA Y DALI	15	24	30	24	40	49

## **CUSTOMER SERVICE:**

tel: +358 20 125 5800

info@greenled.fi