

# ALFA LINE



The Alfa Line product family offers superior energy efficiency combined with low glare optics solutions. Tunable White version enables adjustment of your lighting according to the rhythm of daylight. Active+ solution offers constant light and presence control and automatic setup.

## Benefits

A luminaire of high-quality offering versatile light distribution options with very low glare level. Tunable white-option allows adjustment of lighting according to required daylight rhythm. Self-learning Active+ solution can harvest the daylight and use presence information in different operating environments as a simple and energy efficient additional feature.

## Suitability

Alfa Line is suitable for general lighting of offices and hallways where glare-free and high-quality illumination is required.

## Product families and variants

PRODUCT FAMILY	PRODUCT FAMILY CODE	POWER	LUMINOUS FLUX	LUMINAIRE EFFICACY	LIFETIME	OPERATING TEMPERATURE
ALFA LINE TW 47W	GLAL0047TW	47 W	5400 lm	115 lm/W	L80, F10 > 50 000 h	-20 - +40°C
ALFA LINE 34W	GLAL00034	34 W	4750 lm	140 lm/W	L80, F10 > 50 000 h	-20 - +40°C
ALFA LINE 45W	GLAL00045	45 W	6150 lm	137 lm/W	L80, F10 > 50 000 h	-20 - +40°C
ALFA LINE 88W	GLAL00088	88 W	10700 lm	122 lm/W	L80, F10 > 50 000 h	-20 - +40°C

## Dimensions

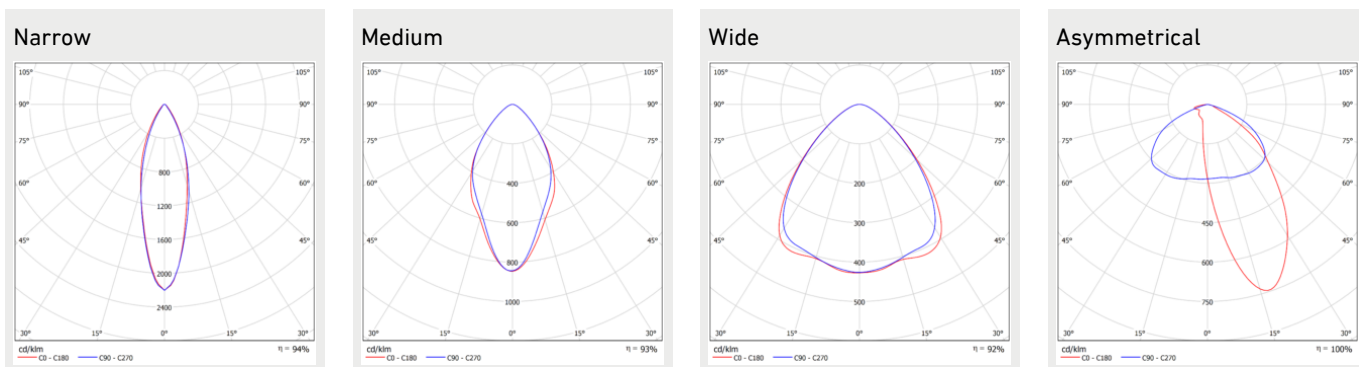
PRODUCT FAMILY	PRODUCT FAMILY CODE	LENGTH (L)	HEIGHT (H)	WIDTH (W)	WEIGHT
ALFA LINE TW 47W	GLAL0047TW	1495 mm	53 mm	88 mm	4,6 kg
ALFA LINE 34W	GLAL00034	1495 mm	53 mm	88 mm	4,5 kg
ALFA LINE 45W	GLAL00045	1495 mm	53 mm	88 mm	4,5 kg
ALFA LINE 88W	GLAL00088	1495 mm	53 mm	88 mm	4,5 kg

## General Description

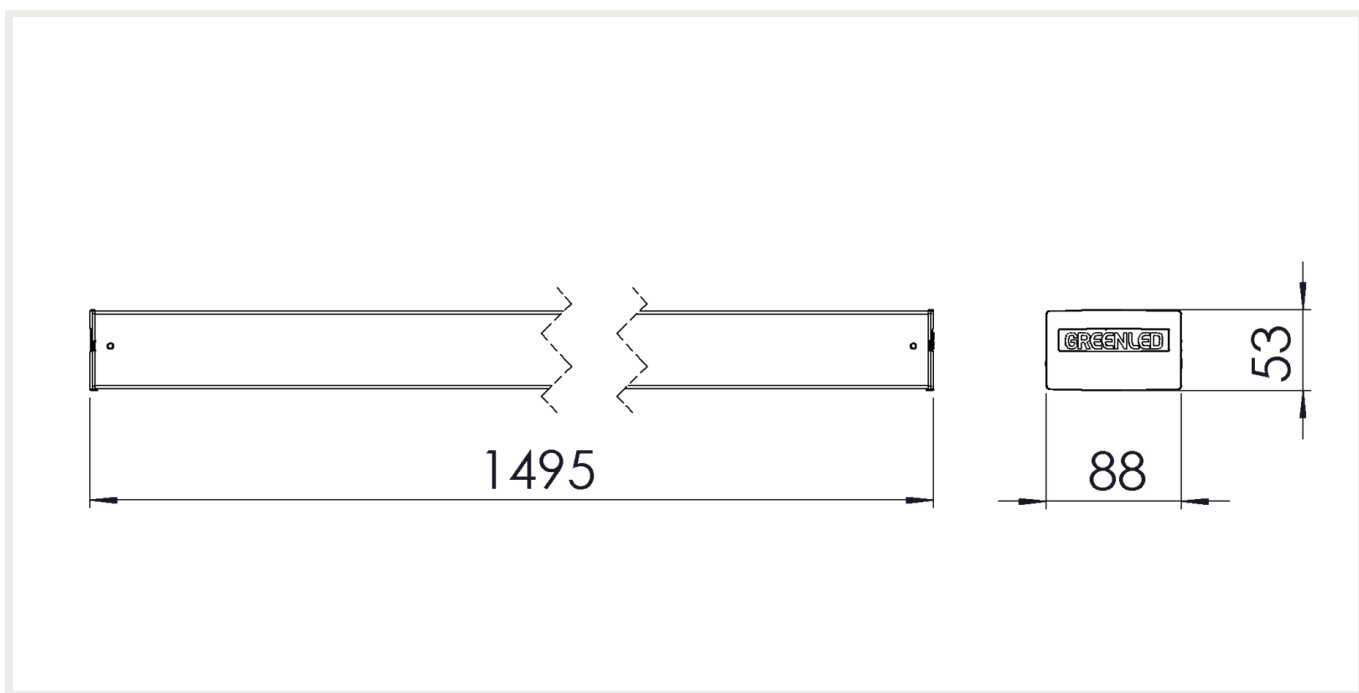
<b>COLOUR TEMPERATURE:</b>	Tunable white 2700 K - 6500 K tai 3000, 4000, 5000 K
<b>COLOUR RENDERING INDEX:</b>	$R_A \geq 80, 90$
<b>OPTIC:</b>	Lens optics (narrow, medium and wide) and glare protection low UGR of very low UGR
<b>LIGHT SOURCE SHIELD:</b>	PMMA
<b>IP CLASS:</b>	IP 20
<b>SUPLY VOLTAGE:</b>	200-240 Vac
<b>FREQUENCY:</b>	50-60 Hz
<b>PF:</b>	>0.95
<b>THD:</b>	<20%
<b>CONNECTION:</b>	Chainable max 5*2.5mm <sup>2</sup> OR max 3*2.5mm <sup>2</sup> and DALI +/-
<b>DIMMABILITY:</b>	ON/OFF or DALI (TW: DT6) or ACTIVE+
<b>COLOUR:</b>	Powder-coated white (other colours optional)
<b>MATERIAL OF THE LUMINAIRE BODY:</b>	Steel

<b>GUARANTEE:</b>	5 years
<b>ACCESSORIES (INSTALLATION):</b>	Bracket for Horizontal Wire, Rail bracket, Threaded rod bracket, Surface mounting, Kansikierretankokannake, Kansi

## Light distribution

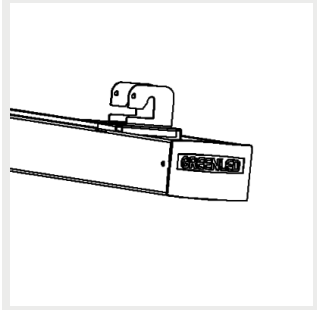


## Dimensions

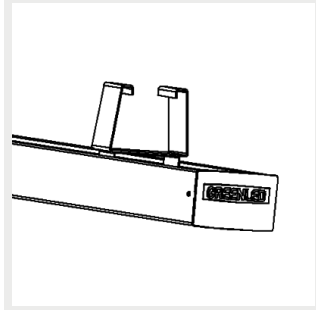


## Brackets

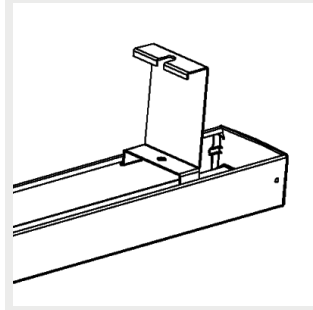
Bracket for Horizontal Wire



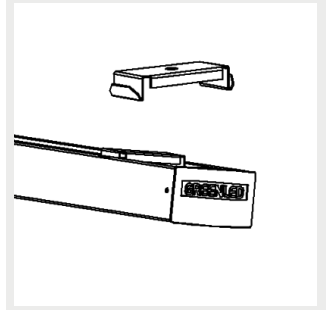
Rail bracket



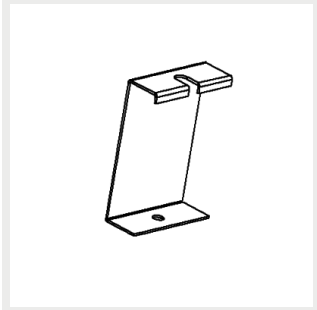
Threaded rod bracket



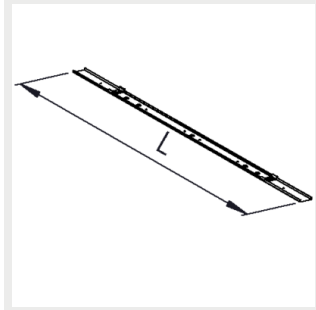
Surface mounting



Kansikierretankokannake



Kansi



## Circuit breakers

	B10	B16	B20	C10	C16	C20
ALFA LINE TW 47W	10	17	21	16	26	33
ALFA LINE 34W, 45W	19	31	39	32	53	66
ALFA LINE 88W	8	13	16	13	22	27

### CUSTOMER SERVICE:

tel: +358 20 125 5800

info@greenled.fi